



Materials:

Structure made of steel profiles with anti-rust protection painted Black. Seat and backrest made of FSC-certified Iroko hardwood slats protected with one-coat oil.

Finishes:



Black

Iroko (FSC®)

*The colors shown are merely indicative and may differ from reality. (Other colors available to order)

**See special finishes for marine environments

Weights (kg):

1 unit bench with backrest: 49.

1 unit bench without backrest: 61.

Installation and maintenance:

No fixation needed. If required, there are drill holes for pavement fixing.

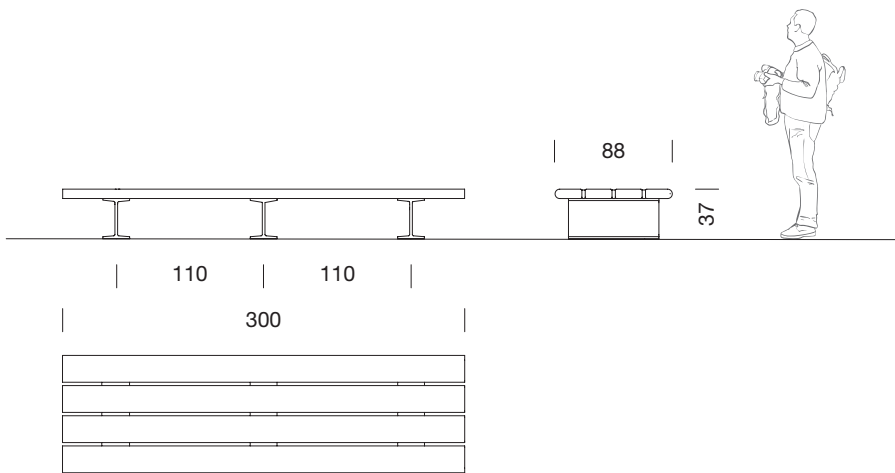
Delivered unassembled.

Instructions and screws are included.

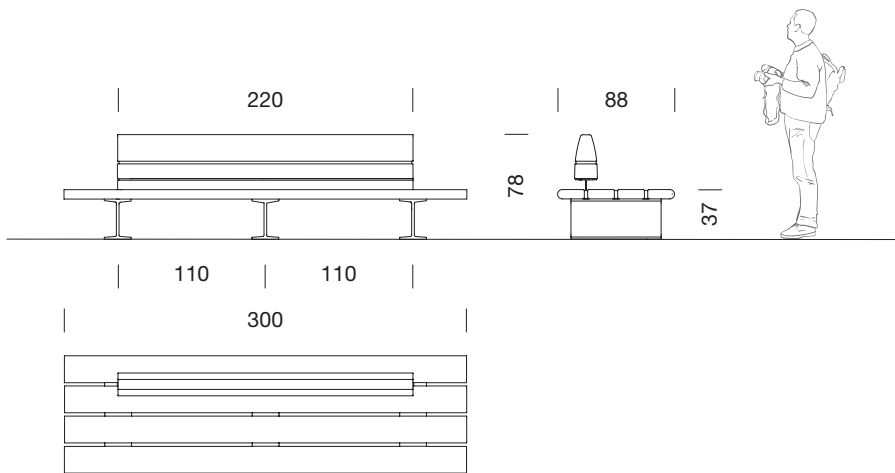
No functional maintenance is required, others than to maintain the original wood finish.

(For further information log onto urbidermis.com)

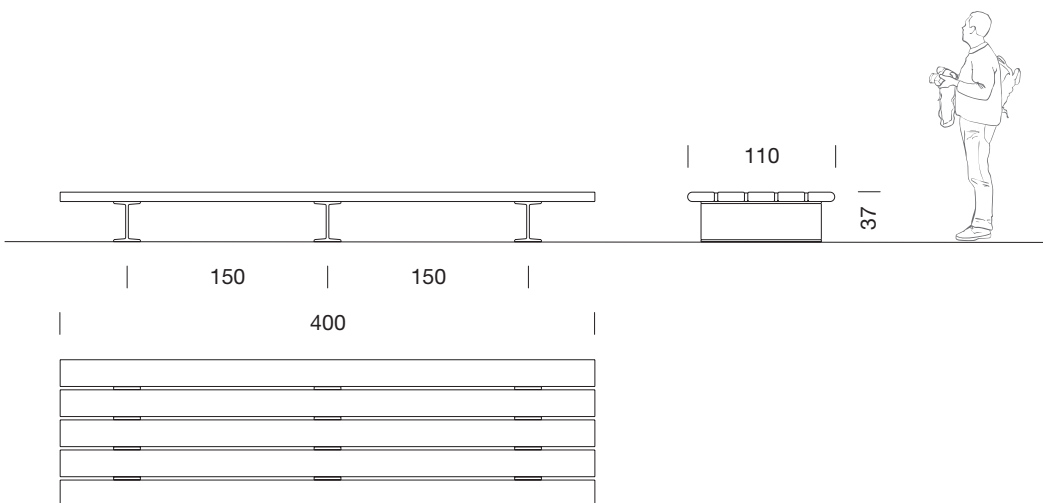
Applicable standards: UNE EN 335, UNE EN 12727, UNE ENV 581, UNE 41510, UNE-EN 12373-1, ISO 12944, FSC-STD-40-004 (license n°: FSC C009370).



Comunitario bench 3,00m without backrest

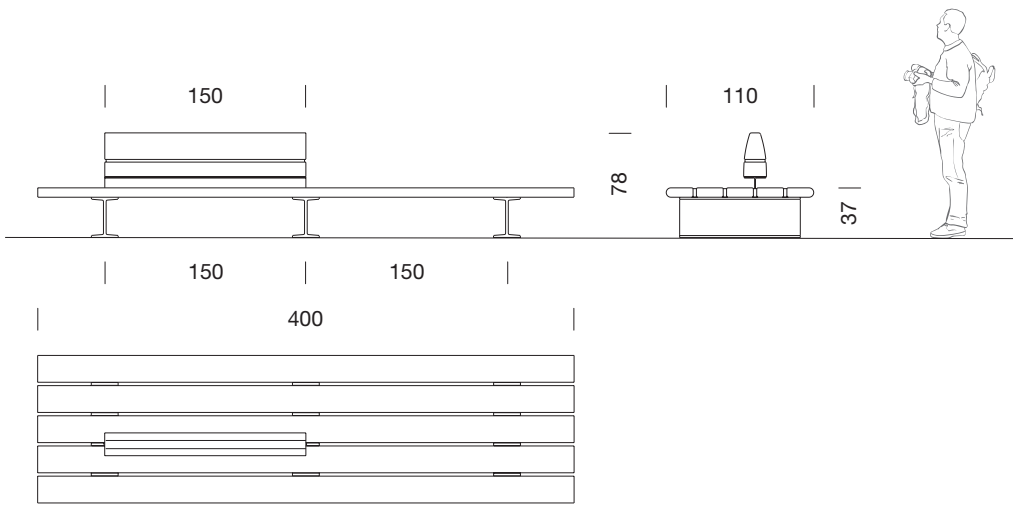


Comunitario bench 3,00m with backrest



Comunitario bench 4,00m without backrest

Sizes in cm



Comunitario bench 4,00m with backrest

Sizes in cm