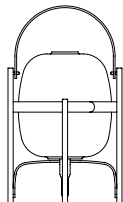


Cestita

Miguel Milá, 1962

Table lamp



.....
This is the little sister of Miguel Milá's very famous Cesta lamp, both designed nearly fifty years ago. It is an iconic, almost traditional piece, the heiress of a moral design that adapts to us very naturally.

GENERAL DESCRIPTION

Sumatran pine wood structure.
White opal engineering plastic lampshade.
Electric cable length: 2 m / 78.7".

LIGHT SOURCE

Recommended light sources:
LED: 8W *
Compact fluorescent: 11W *
Incandescent: Max. 25W *
E27-E26 (Max. hgt.: 105 mm / 4.1")

Light source not included.
Switch on-off included.
Compatible with bulbs of the Energy efficiency class (E.E.C): A+... E
Lamp suitable only for indoor use.
Always use this light sources or equivalent.

.....
Input voltage: 100, 120, 230 VAC
(50 Hz / 60 Hz) According to destination.

* UL MARKET: Max. 7W.



SANTA & COLE

APPROXIMATE WEIGHT (unpacked)

0,75 kg / 0.29 lb

REGULATIONS

CE



IP 20

UNE-EN 60598

UNE-EN 55015

UNE-EN 60529



Non-class 2

Dry location only

UL-153

E-352592

MAINTENANCE

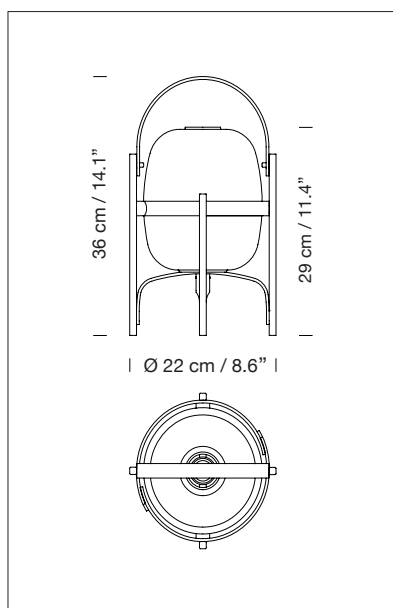
Clean with a smooth cloth. It is advised not to use any ammonia, solvent or abrasive products.

OTHERS

The lamp is delivered in one packet.

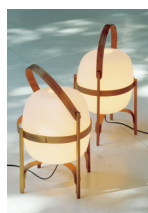
The assembly instructions are delivered with the product.

MODEL



Collection

Table lamps



Cesta

Wall lamps



Wally