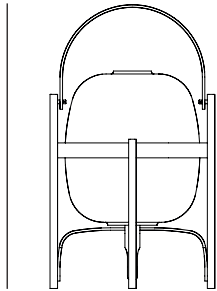


Cesta

Miguel Milá, 1962

Table lamp



A magic hand-made lantern, made of a cherry wooden structure and an inner light globe. Its oval volume and handle make it an object-lamp, equally ideal for both tabletops and floors.

GENERAL DESCRIPTION

Sumatran pine wood structure.

White opal glass lampshade.

Electric cable length: 4 m / 157.4".

LIGHT SOURCE

Recommended light sources:

LED: 17W

Compact fluorescent: 20W

Incandescent: Max. 75W

E27-E26 (Max. hgt.: 130 mm / 5.1")

Light source not included.

Dimmer included.

Compatible with bulbs of the Energy efficiency class (E.E.C): A++... E.

Lamp suitable only for indoor use.

Always use this light sources or equivalent.

Input voltage: 100, 120, 230 VAC
(50 Hz / 60 Hz) According to destination.



SANTA & COLE

APPROXIMATE WEIGHT (unpacked)

2,7 kg / 5.9 lb

REGULATIONS

CE



IP 20

UNE-EN 60598

UNE-EN 55015

UNE-EN 60529



Non-class 2

Dry location only

UL-153

E-352592

MAINTENANCE

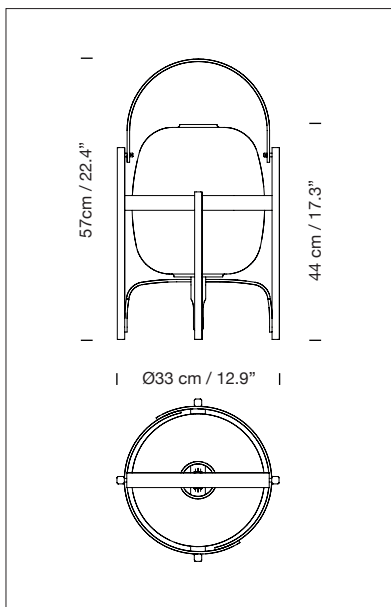
Clean with a smooth cloth. It is advised not to use any ammonia, solvent or abrasive products.

OTHERS

The lamp is delivered in one packet.

The assembly instructions are delivered with the product.

MODEL



Collection

Table lamp



Cestita

Wall lamp



Wally