

# CIRIO

Hanging fixture  
2010 and 2012

## GENERAL DESCRIPTION

Lamp of exchangeable shades, from the white porcelain of Sargadelos to anodized aluminium, housing an ingenious capsule of LEDs while still illuminating with the warmth of candles. The combination of its various structures allows the generation of a wide range of formats.

## APPROXIMATE WEIGHT (unpacked)

- |                              |                 |
|------------------------------|-----------------|
| 1. Porcelain lampshade       | 0,5 kg / 1,1 lb |
| 2. Aluminum lampshade        | 0,3 kg / 0,7 lb |
| 3. Rosette with power supply | 2 kg / 4,4 lb   |

(Weight with porcelain lampshade)

- |  |                  |
|--|------------------|
| 4. Simple structure with surface rosette + Lampshade (x1)    | 1,1 kg / 2,4 lb  |
| 5. Simple structure with built-in rosette + Lampshade (x1)   | 1,1 kg / 2,4 lb  |
| 6. Linear structure + (3)Rosette + Lampshades (x5)           | 7,5 kg / 16,5 lb |
| 7. Final linear structure + Lampshades (x5)                  | 4,5 kg / 10 lb   |
| 8. Structure Circular S + (3)Rosette + Lampshades (x12)      | 13 kg / 28,5 lb  |
| 9. Structure Circular M + (3)Rosette (x2) + Lampshades (x28) | 33 kg / 72,8 lb  |
| 10. Structure Circular L+ (3)Rosette (x3) + Lampshades (x42) | 47 kg / 103,5 lb |
| 11. Oval Structure + (3)Rosette (x3) + Lampshades (x38)      | 46 kg / 101,5 lb |
| 12. Multiple Structure + (3)Rosette + Lampshades (x12)       | 8 kg / 17,5 lb   |

## TECHNICAL CHARACTERISTICS

Board of 4 LEDS	
Warm colour temperature	2720-3040 K
Lightflow	375,6 lm
Average lifetime	>40.000 h

Light Source (4, 5, 6, 7, 8, 9, 10, 11)	
Power	4,8 W-350 mA

Light Source (12)	
Power	10 W-700 mA

(4, 5) 1 x 4,8 W	4,8 W 350 mA
(6, 7) 5 x 4,8 W	24 W 350 mA
(8) 12 x 4,8 W	57,6 W 350 mA
(9) 28 x 4,8 W	134,4 W 350 mA
(10) 42 x 4,8 W	201,6 W 350 mA
(11) 38 x 4,8 W	182,4 W 350 mA
(12) 12 x 10 W	120 W 700 mA

EUROPE (Voltage)	AC	230Vac	50 Hz
------------------	----	--------	-------

Suitable for regular DALI, DSI DIM SWITCH, except the simple modules and multiple.

Light source included.

Luminaires suitable for indoor use.

Always use the light source recommended or equivalent.

## STRUCTURE

Black aluminium structure.

The structure is joined with metal connectors black (6, 7, 8, 9, 10, 11)

## SHADE

Four options of lampshade : white porcelain, golden aluminium, red aluminium and silver electropolished aluminium.

## CEILING ROSETTE

Black metal surface rosette (3, 4, 5, 6, 8, 9, 10, 11)

Built-in white rosette (12)

White metal surface rosette (5)

## MAINTENANCE

Clean with a smooth cloth. It is advised not to use any ammonia, solvent or abrasive products.

## OTHER

The luminaires is delivered in differents packets.

The assembly instructions are delivered with the luminaire.

CIRIO Multiple with power supply from 6 to a maximum of 12.

Possibility of linking Ø300 structures with linear structures (11)



White porcelain lampshade (1)



Golden aluminum lampshade (2)



Linear structure with white porcelain lampshade (6, 7)



1- Cirio Circular S, M and L (8, 9, 10).

2- Double Linear structure (6, 7).

## Regulation

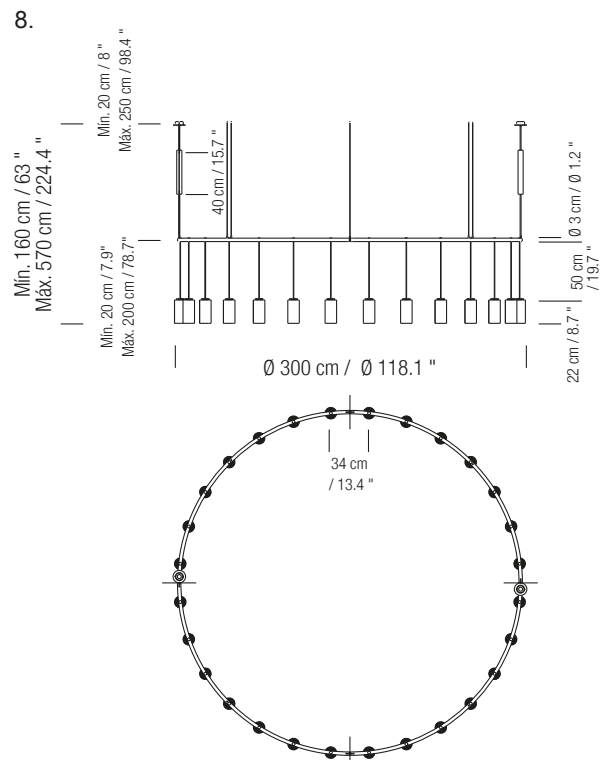
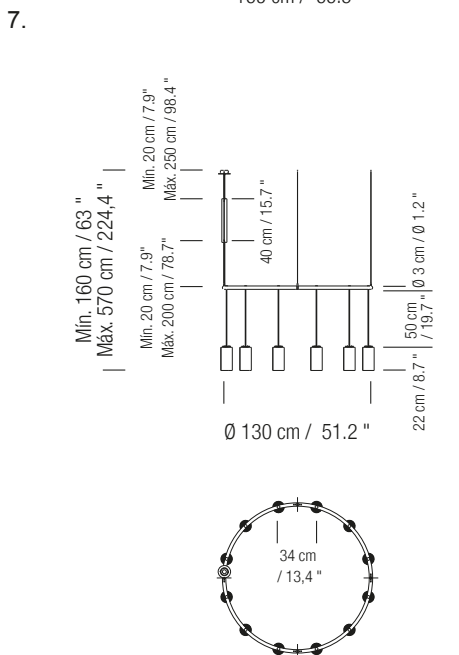
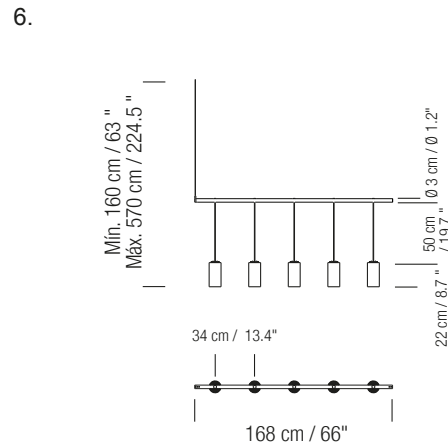
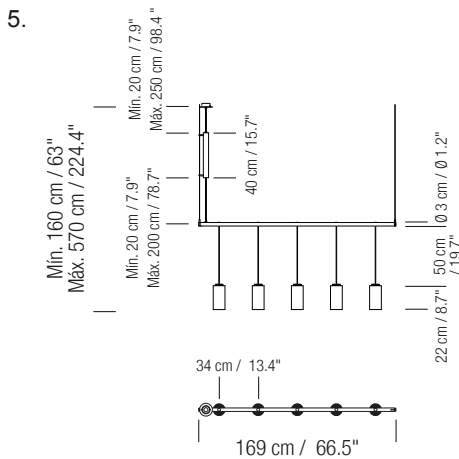
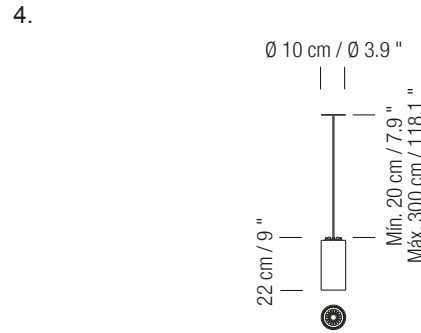
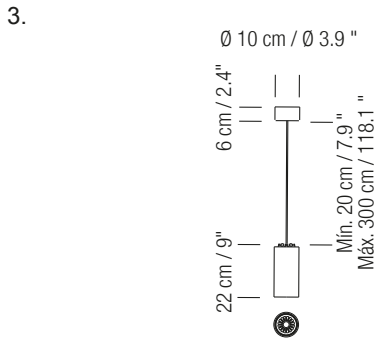
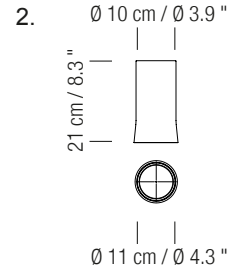
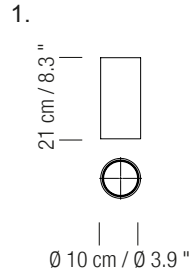
IP 20 Class 1 

UNE-EN 60598; UNE-EN 55015; UNE-EN 62031; UNE-EN 60529 ; IEC 61347



# CIRIO

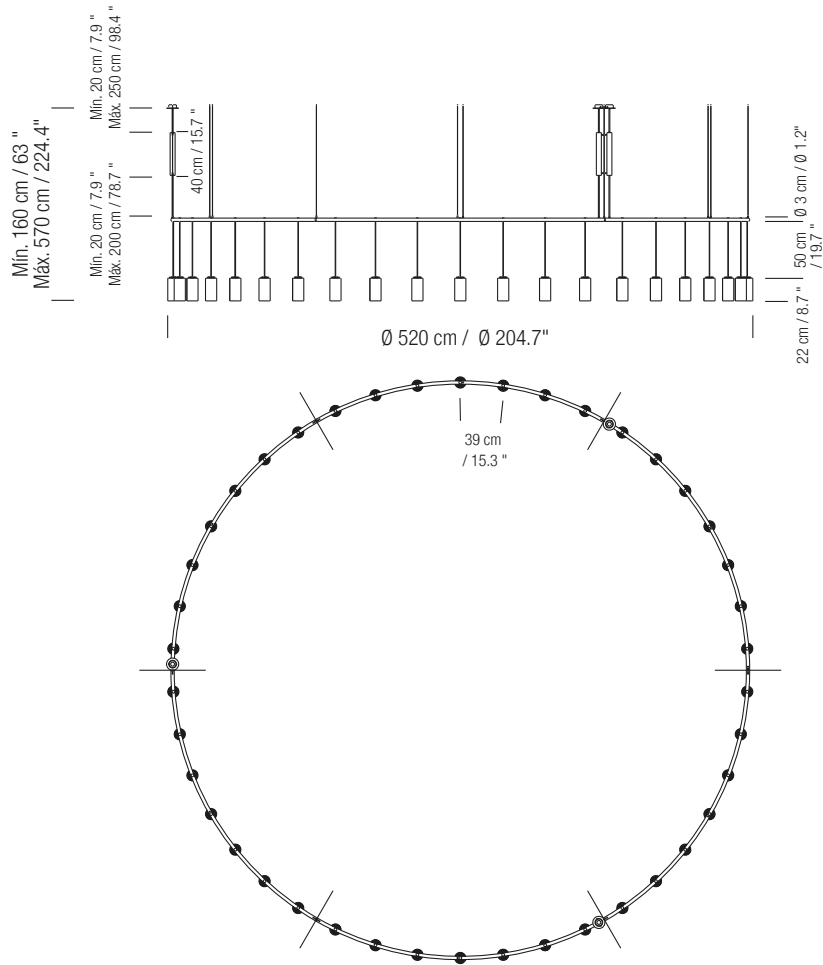
1. White porcelain lampshade
2. Golden aluminum lampshade
3. Simple structure with surface rosette + Lampshade (x1)
4. Simple structure with built-in rosette + Lampshade (x1)
5. Linear structure + (3)Rosette + Lampshades (x5)
6. Final linear structure + Lampshades (x5)
7. Structure Circular S + (3)Rosette + Lampshades (x12)
8. Structure Circular M + (3)Rosette (x2) + Lampshades (x28)
9. Structure Circular L+ (3)Rosette (x3) + Lampshades (x42)
10. Oval Structure + (3)Rosette (x3) + Lampshades (x38)
11. Multiple Structure + (3) Rosette + Lampshades (x12)



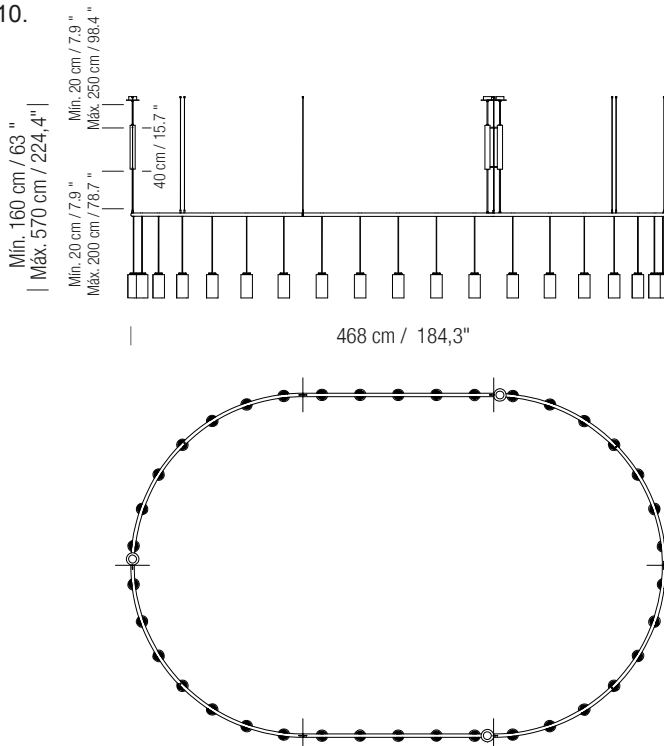


# CIRIO

9.



10.



11.

