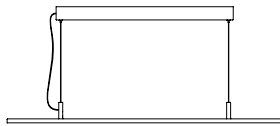


BlancoWhite R3

Antoni Arola, 2013
Hanging lamp



An extension of the BlancoWhite family, in which a thin, one-centimetre plate determines the thickness in the form of all the structures. We are now presenting a collection of rectangular hanging lamps that are extremely subtle, warm, and have great light efficiency. Available in the two basic colours of the BlancoWhite family – graphite and white. The intelligence of LED at its best.

GENERAL DESCRIPTION

S&C white or graphite metal structure with matte finish.
Rectangular metal ceiling plate with equipment incorporated.
Electric cable length: 3 m / 117".

LIGHT SOURCE

Strip of 102 LEDs
Power system: 33 W
Operating voltage: 12 VDC
T^a Colour: 3.000 K
Typical IRC: 85
Lifetime: 40.000 h
Luminous flux: 1.224 lm

Built-in LED.
Lamp suitable for dimming systems
1-10V
Not included external dimmer switch
1-10V.
Energy efficiency class (E.E.C):
A⁺⁺... A
Lamp suitable only for indoor use.

Input voltage: 90 ~ 305 VAC
(50 Hz / 60 Hz) According to destination.

APPROXIMATE WEIGHT (unpacked)

BlancoWhite R3 ceiling: 5 kg / 11 lb

STANDARDS

CE



IP 20

UNE-EN 60598

UNE-EN 55015

UNE-EN 62031

UNE-EN 61000-3-2

UNE-EN 60529

UNE-EN 61347-2-13

MAINTENANCE

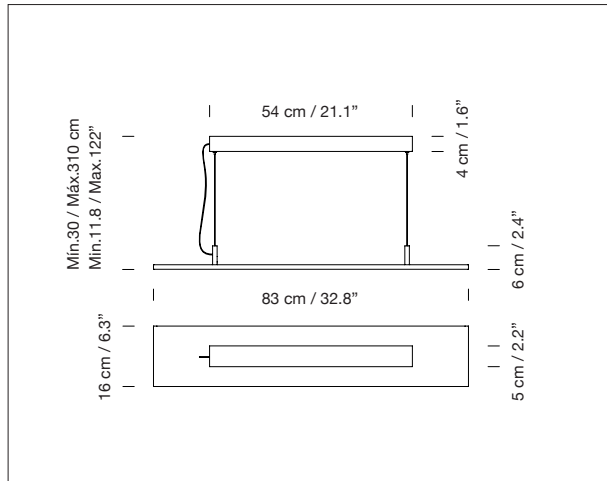
Wipe clean with a soft cloth dampened with water. Do not use ammonia, solvents or abrasive cleaning products as these could damage the surface.

OTHERS

The lamp is delivered in one packet.

The assembly instructions are delivered with the fixture.

MODELS



BlancoWhite Collection

Table fixture



C1 table



R2 table

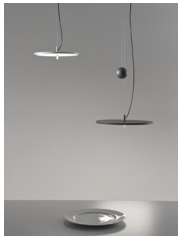


R3 table



R1 table rotating

Hanging fixture



D1 / D2 ceiling
D1 / D2 ceiling up&down



Golden Gate

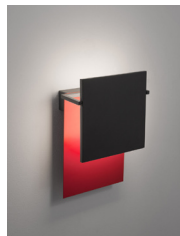


R3 ceiling

Wall fixture



C1 / R1 wall rotating
R1 wall



C1 wall rotating scene