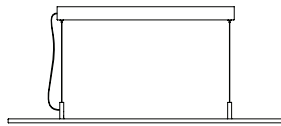


# BlancoWhite R3

Antoni Arola, 2013  
Hanging lamp



An extension of the BlancoWhite family, in which a thin, one-centimetre plate determines the thickness in the form of all the structures. We are now presenting a collection of rectangular hanging lamps that are extremely subtle, warm, and have great light efficiency. Available in the two basic colours of the BlancoWhite family – graphite and white. The intelligence of LED at its best.

## GENERAL DESCRIPTION

S&C white or graphite metal structure with matte finish.  
Rectangular metal ceiling plate with equipment incorporated.  
Electric cable length: 3 m / 117".

## LIGHT SOURCE

Strip of 102 LEDS  
Power system: 33 W  
Operating voltage: 12 VDC  
T<sup>a</sup> Colour: 3.000 K  
Typical IRC: 85  
Lifetime: 40.000 h  
Luminous flux: 1.224 lm

Built-in LED.  
Lamp suitable for dimming systems  
1-10V  
Not included external dimmer switch  
1-10V.  
Energy efficiency class (E.E.C):  
A<sup>++</sup>... A  
Lamp suitable only for indoor use.

Input voltage: 90 ~ 305 VAC  
(50 Hz / 60 Hz) According to destination.

---

**APPROXIMATE WEIGHT** (unpacked)

BlancoWhite R3 ceiling: 5 kg / 11 lb

---

**REGULATIONS**

CE



IP 20

UNE-EN 60598

UNE-EN 55015

UNE-EN 62031

UNE-EN 61000-3-2

UNE-EN 60529

UNE-EN 61347-2-13

---

**MAINTENANCE**

Wipe clean with a soft cloth dampened with water. Do not use ammonia, solvents or abrasive cleaning products as these could damage the surface.

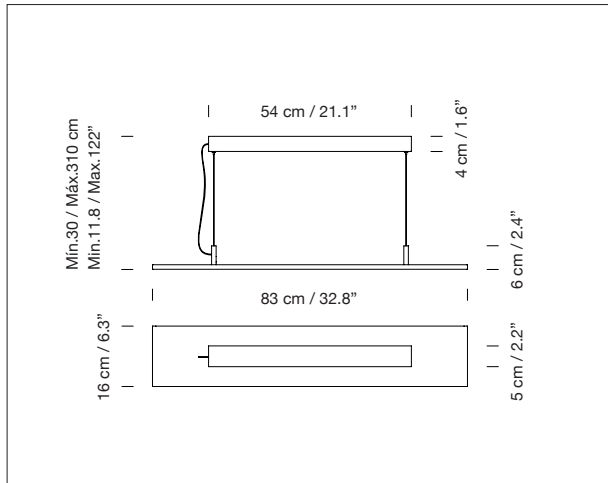
---

**OTHERS**

The lamp is delivered in different packages.  
The assembly instructions are delivered with the fixture.

---

**MODELS**



## BlancoWhite Collection

### Table fixture



C1 table



R2 table



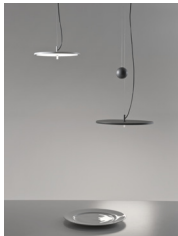
R3 table



R1 table rotating

---

### Hanging fixture



D1 / D2 ceiling  
D1 / D2 ceiling up&down



Golden Gate



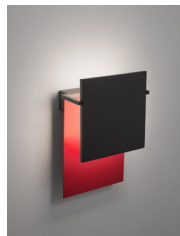
R3 ceiling

---

### Wall fixture



C1 / R1 wall rotating  
R1 wall



C1 wall rotating scene