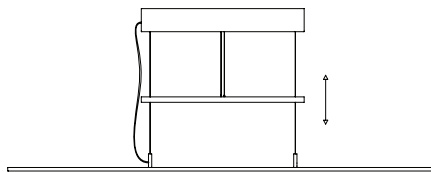


BlancoWhite Golden Gate

Antoni Arola, 2013

Hanging lamp



A stunning hanging lamp that makes the most of the thin LED plate that it has in common with the entire BlancoWhite family. Highly serene for meeting spaces or private dining rooms, with its sober presence and high lighting comfort. Like the famous San Francisco bridge, Golden Gate brings together sweeping distances, with a practical system of pulleys so that it can be adjusted to the most convenient visual height.

GENERAL DESCRIPTION

S&C white or graphite metal structure with matte finish.
Rectangular metal ceiling plate with equipment incorporated.
Electric cable length: 3 m / 117".
Includes counterweight to adjust height.

LIGHT SOURCE

Strip of 198 LEDs
Power system: 66 W
Operating voltage: 12 VDC
T^a Colour: 3.000 K
Typical CRI: 85
Luminous flux: 2.376 lm
Lifetime: 40.000 h

Built-in LED.
Energy efficiency class (E.E.C):
A⁺⁺... A
Lamp suitable only for indoor use.
Always use this light source.

Input voltage: 108 ~ 264 VAC
(50 Hz / 60 Hz) According to destination.

APPROXIMATE WEIGHT (unpacked)

BlancoWhite Golden Gate: 13 kg / 28.6 lb

REGULATIONS

CE



IP 20

UNE-EN 60598

UNE-EN 55015

UNE-EN 62031

UNE-EN 61000-3-2

UNE-EN 60529

UNE-EN 61347-2-13

MAINTENANCE

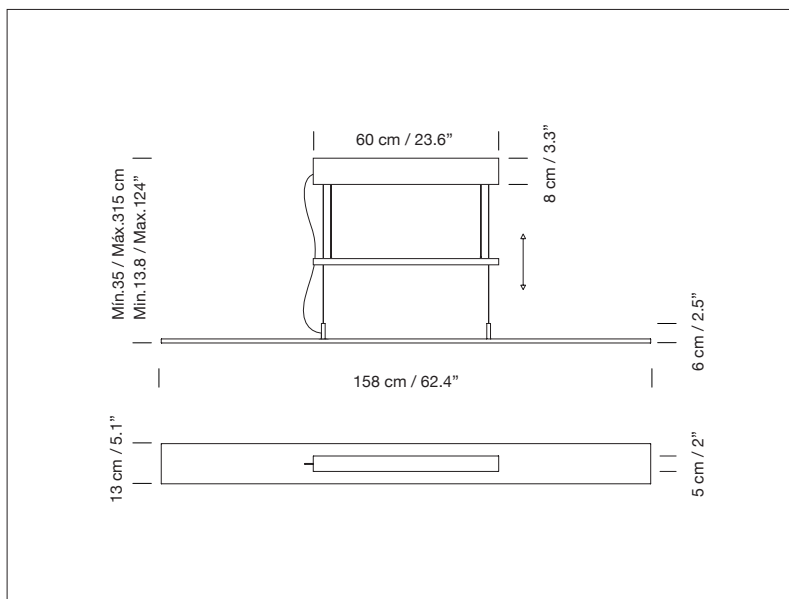
Wipe clean with a soft cloth dampened with water. Do not use ammonia, solvents or abrasive cleaning products as these could damage the surface.

OTHERS

The lamp is delivered in different packages.

The assembly instructions are delivered with the fixture.

MODELS



BlancoWhite Collection

Table fixture



C1 table



R2 table

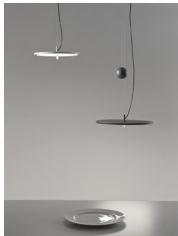


R3 table



R1 table rotating

Hanging fixture



D1 / D2 ceiling
D1 / D2 ceiling up&down



Golden Gate



R3 ceiling

Wall fixture



C1 / R1 wall rotating
R1 wall



C1 wall rotating scene