

Bilateral Bench

Julià Espinàs, Olga Tarrasó. 2005

urbidermis
SANTA & COLE



Materials:

Structure, armrests and base made of 8 mm steel plate with anti-rust protection painted.

Seat with or without backrest made of FSC-certified tropical wood slats; outer slats measuring 30/40 x 120 mm and inner slats 40 x 60 mm, protected with one-coat oil.

Finishes:



Black

Tropical (FSC®)

*The colors shown are merely indicative and may differ from reality. (Other colors available to order)

**See special finishes for marine environments

Weights (kg):

1 unit bench with backrest: 49.

1 unit bench without backrest: 61.

Installation and maintenance:

Surface fixation by means of two stainless steel anchor bolts per structure.

The bench is delivered in two parts: base structures and seat with or without backrest.

Instructions, screws and anchor bolts are included.

No functional maintenance is required, others than to maintain the original wood finish.

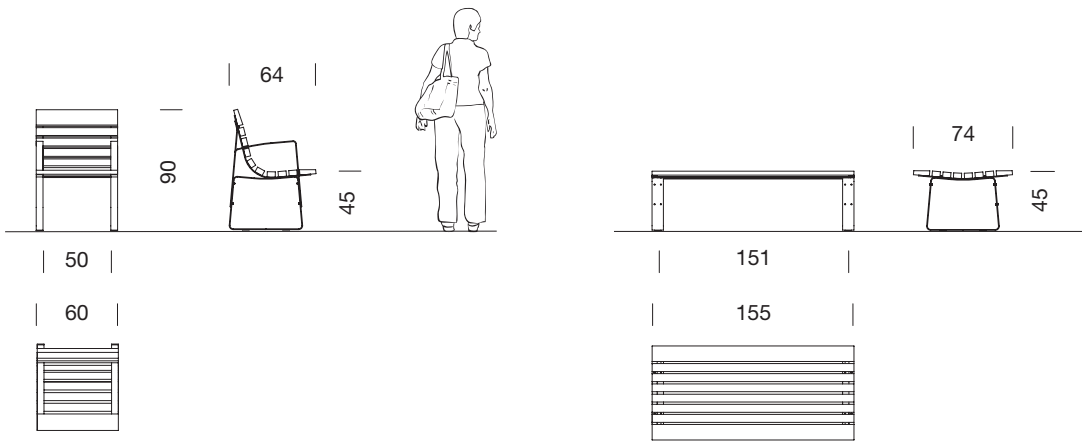
(For further information log onto urbidermis.com)

Applicable standards: UNE EN 335, UNE EN 12727, UNE EN 581, UNE 41510, FSC-STD-40-004 (license n°: FSC C009370).

Bilateral Bench

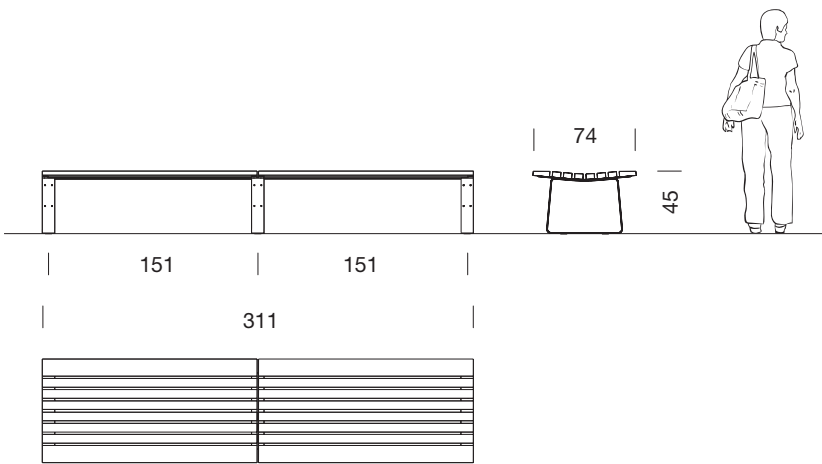
Julià Espinàs, Olga Tarrasó. 2005

urbidermis
SANTA & COLE

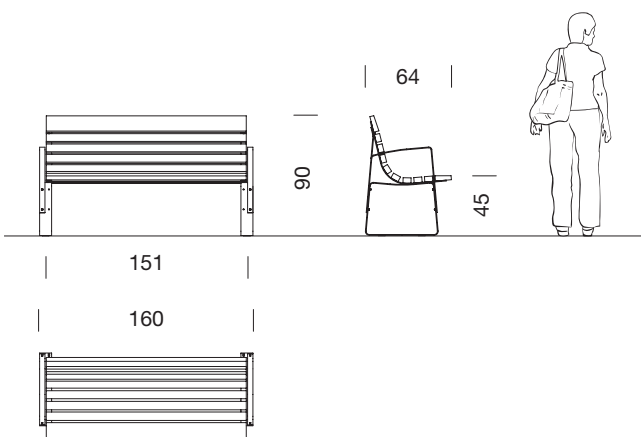


Bilateral bench 1 unit with backrest and armrests 0,60 m

Bilateral bench 1 unit without backrest



Bilateral bench 2 units without backrest



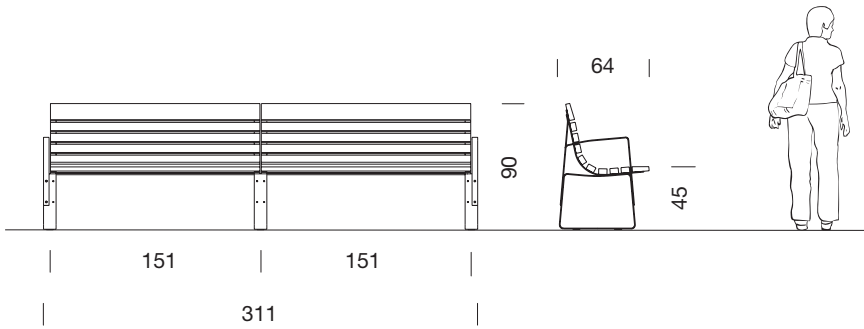
Bilateral bench 1 unit with backrest and armrests

Sizes in cm

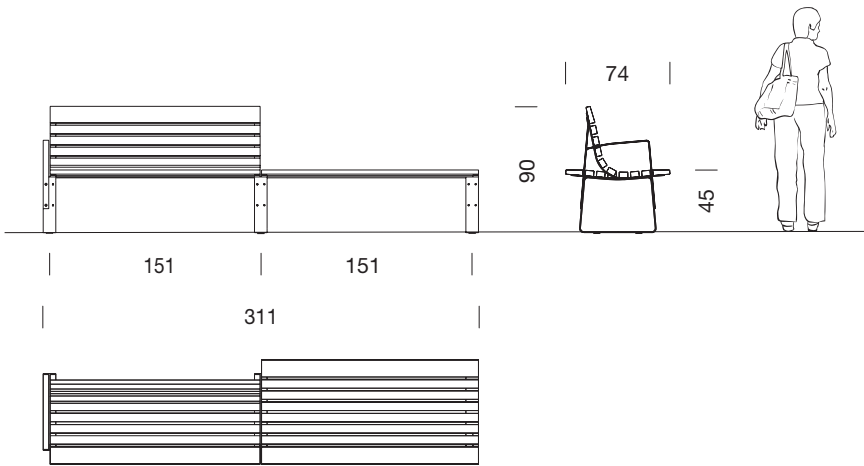
Bilateral Bench

Julià Espinàs, Olga Tarrasó. 2005

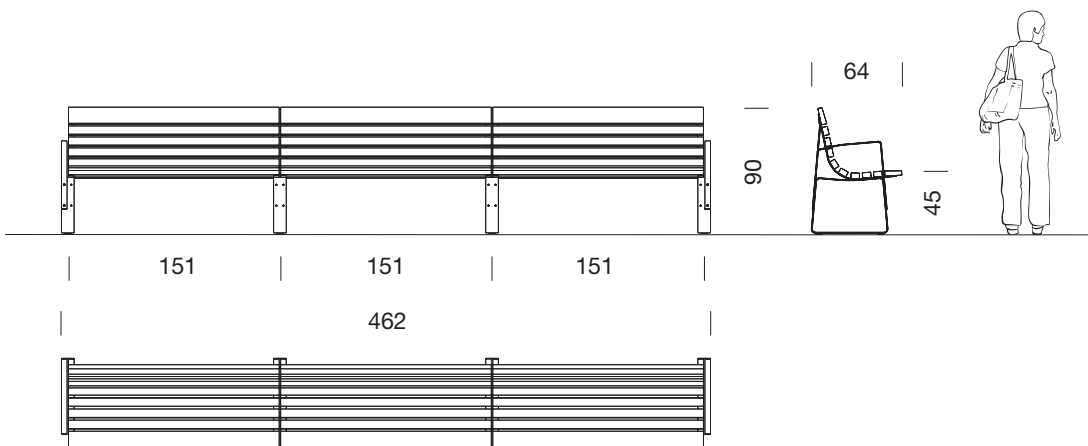
urbidermis
SANTA & COLE



Bilateral bench 2 units with backrests and armrests



Bilateral bench 2 units with 1 backrest and armrests



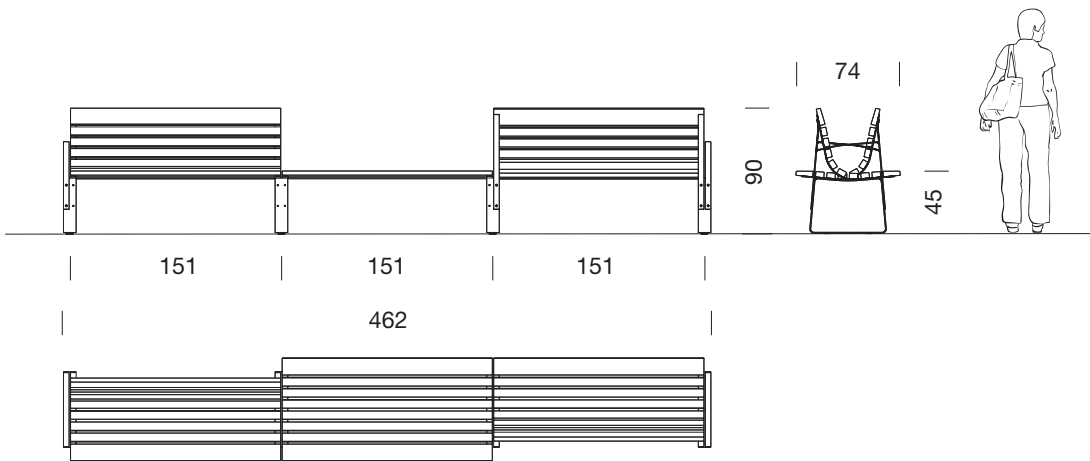
Bilateral bench 3 units with backrests and armrests

Sizes in cm

**Bilateral
Bench**

Julià Espinàs, Olga Tarrasó. 2005

urbidermis
SANTA & COLE



Bilateral bench 3 units with 2 inverted backrests in the extremes and armrests

Sizes in cm