

Bancal Bench

Julià Espinàs, Olga Tarrasó. 2000



Code: BCB

Materials: Bent 6 mm steel sheet structure with anti-rust protection and powder-painted.

The seat and backrest are made of solid tropical wood slats of 50/65 x 160 mm cross section and variable lengths, FSC®-certified and protected with one-coat oil.

Slats:

Tropical wood (FSC®). One-coat oil finish

Structure: Steel

Painted RAL 9006

Painted RAL 7024

(Other colours available to order)

Weight:

(1 module with two structures)

Without backrest: 80 kg.

With backrest: 110 kg.

Installation: Fixed to the ground by two anti-rust treated anchor bolts on every leg which are placed in holes drilled into the road surface and filled with epoxy resin, quick-setting cement or similar.

The bench is delivered dismantled.

The bench is delivered with the anchor bolts and assembly instructions.

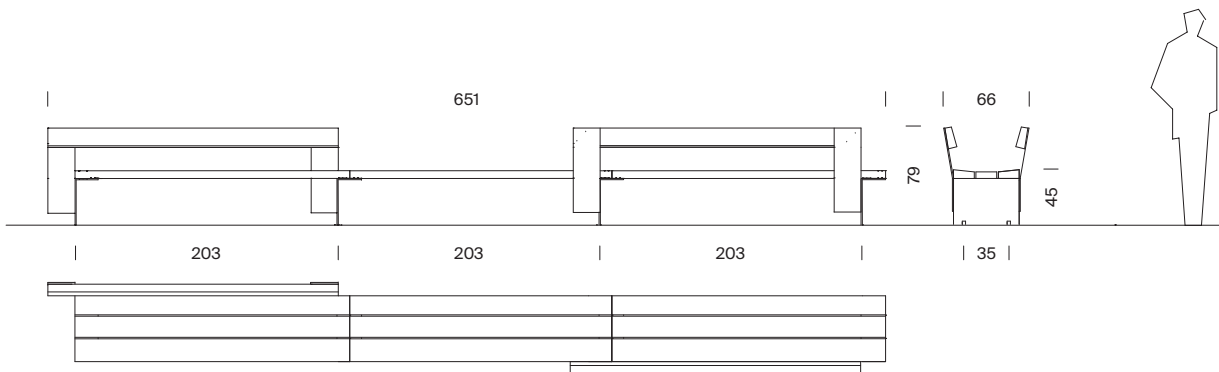
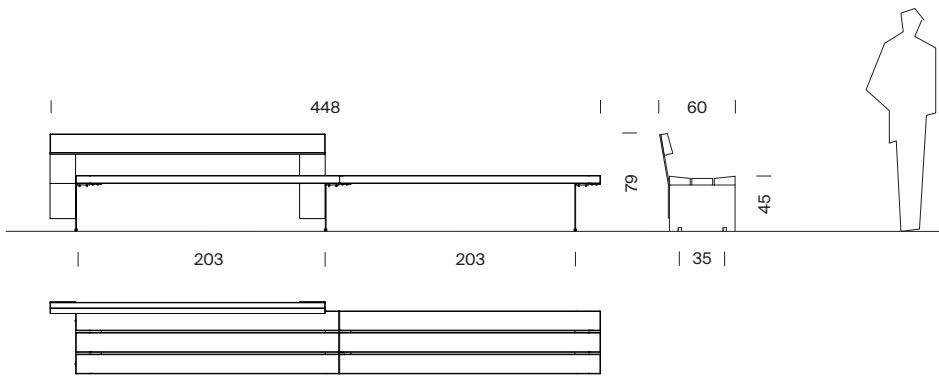
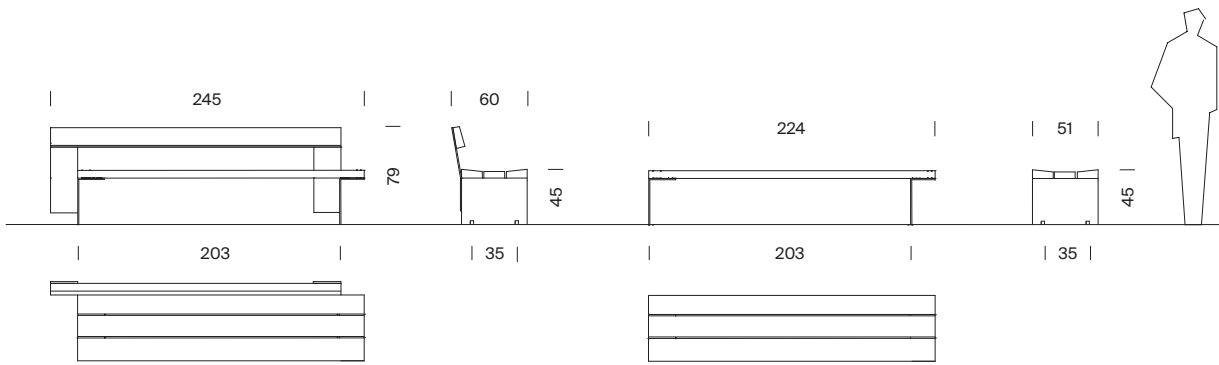
Maintenance: No functional maintenance is required, except to preserve the original colour of the wood.

(For further information about this product, log onto the website www.santacole.com)

Applicable standards: UNE EN 335, UNE EN 12727, UNE EN 581, UNE 41510

Bancal Bench

Julià Espinàs, Olga Tarrasó. 2000



Dimensions in cm