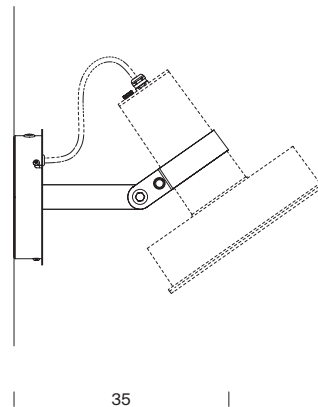


**Arne**  
**Single wall attachment**  
Santa & Cole Team, 2013



Sizes in cm

CE RoHS     (with Arne floodlight)

**Code:** ARP02

Accessory allowing a single-unit luminaire to be affixed to a wall. The system allows the luminaire to be freely rotated.

**Materials:** Powder-coated steel finish rosette with rust protection.

Affixing via Fisher M8 fastening anchors.

Stainless steel powder-coated finish arm and clamp.

Powder-coated finish aluminium injection fastening and gear parts.

Geomet 500 and stainless steel screws.

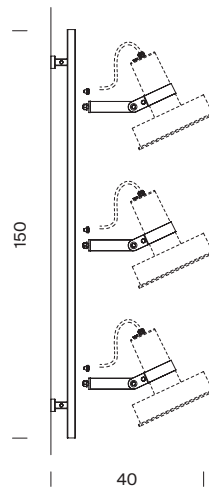
**Colours:** light grey (RAL 9006).  
(other colours available to order)

**Size (cm):** Ø 22 x 35

**Weight (kg):** 2.5

**Installation:** Suitable for wall attachment by means of a fastening accessory. The component is delivered disassembled. The component can be combined with the Arne floodlight product range (for further information about Arne floodlight, log onto the website [www.santacole.com](http://www.santacole.com)).

\*Luminaire not included



Sizes in cm

CE RoHS     (with Arne floodlight)

**Code:** ARP13 + ARP12

Accessory allowing three luminaires to be affixed to a wall in a linear fashion. The system allows the luminaires to be freely rotated.

**Materials:** Powder-coated steel finish structure.

Affixing via Fisher M8 fastening anchors.

Stainless steel powder-coated finish arm and clamp.

Powder-coated finish aluminium injection fastening and gear parts.

Geomet 500 and stainless steel screws.

**Colours:** light grey (RAL 9006).  
(other colours available to order)

**Size (cm):** 150 x 15 x 40

**Weight (kg):** 7.3

**Installation:** Suitable for wall attachment by means of a fastening accessory. The component is delivered disassembled. The component can be combined with the Arne floodlight product range (for further information about Arne floodlight, log onto the website [www.santacole.com](http://www.santacole.com)).

\*Luminaire not included