

Sizes in cm



**Materials:**

Injected aluminium floodlight, primed with powder coated paint. Stainless steel and injected aluminium accessories, primed and painted with same finish. Tempered optical glass diffuser. Injected and die-cut silicone gaskets.  
Stainless steel screws.

**Finishes:**



Light grey

Medium grey

Dark grey

\*The colors shown are merely indicative and may differ from reality. (Other colors available to order)

\*\*See special finishes for marine environments

**Sizes (cm):**

Ø 31 x 30

**Weight (kg):**

6.5

**Surface exposed to wind (m<sup>2</sup>):**

0.045

**Installation:**

Suitable for pole attachment using a fastening fixture not included (see drawing A). Suitable for catenary attachment using a fastening fixture not included (see drawing B).

\*Catenary wire not included.

(For further information log onto [urbidermis.com](http://urbidermis.com))

**Applicable standards:** UNE-EN 60529, UNE-EN 60598, UNE-EN 55015, UNE-EN 61000, UNE-EN 50102, UNE-EN 62031 (tests performed by accredited laboratory ENAC, CE), UL 1598, UL 8750, (file E-505192).

**Protections:** IP66 (protection from dust ingress and high-pressure water jets), IK08 (protection against external mechanical impacts).

**Electrical rating:** Class I (CE)

**Light source:** High-efficiency optical unit with 18, or 36 LEDs.

**Nominal lamp power (W):**

18 LEDs: 18 / 26 / 36

36 LEDs: 36 / 51 / 72

**System power (W):**

18 LEDs: 22 / 32 / 42

36 LEDs: 40 / 59 / 85

**Operating current (mA):** 350, 500, 700

**Color temperature (K°):** 3000 CRI min80, 4000 CRI typ70

**Power supply:** constant current driver.

**Regulation:**

1-10V / DALI / Header flux regulation / Programmable automatic regulation.

The LED luminaire may be regulated using a number of differing interfaces.

These controls allow specific, individual control of light, reducing energy consumption in a sustainable manner.

Constant light output (CLO)

Assures a constant lumen output from the luminaire throughout its lifetime.

**Power factor (cos φ):**

LEDs n°	Current (mA)	P (W) 100%, CLO 80%
18	350	0.87
	500	0.92
	700	0.98
36	350	0.95
	500	0.97
	700	0.98

**Operating voltage:** 220-240V 50-60Hz (CE) / 120-277V 60Hz (UL)

**Wire:**

0,6/1 kV 3x2,5mm<sup>2</sup>

0,6/1 kV 5x1,5mm<sup>2</sup> (prog.)

**Temperature operating range Ta (°C):** between -25 and 30 (700 mA)

**Lifetime:** TM21 L70 (10k) > 60.000 h

Thanks to an optimised thermal design, the luminous flux is maintained up to 70% after 60.000 h.

**Light distributions:**

Symmetric: Wide Flood (WF 76°), Flood (F 43°), Medium (M 30°), Spot (SP 15°) or Type II+II (TII+II).

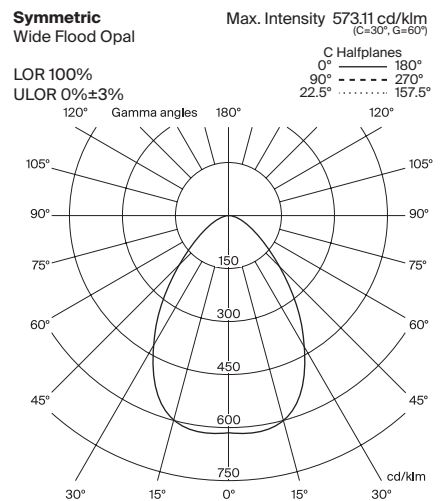
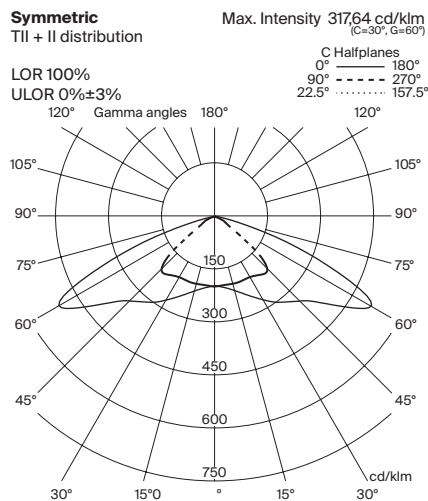
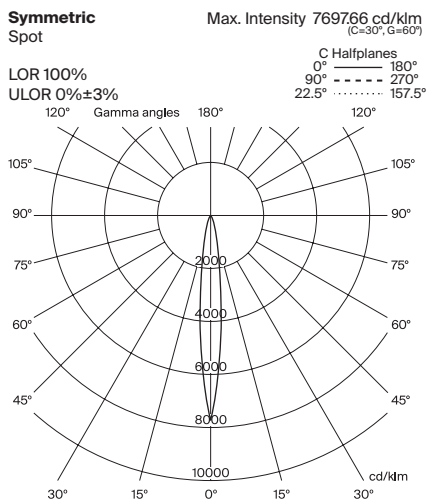
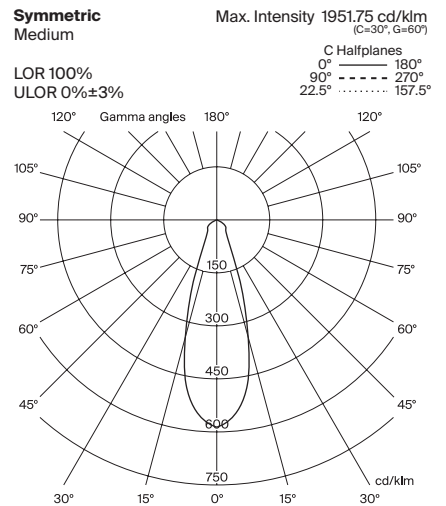
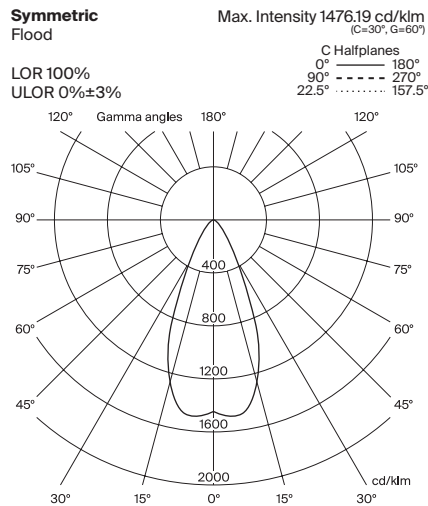
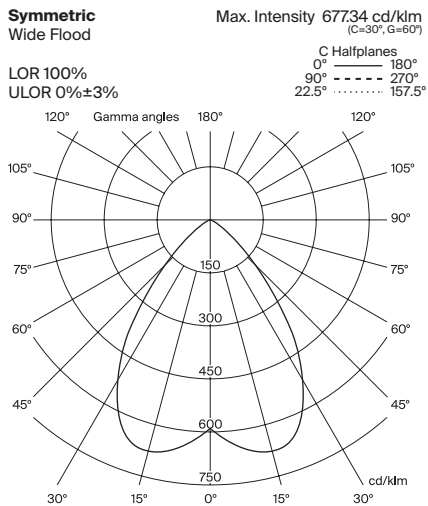
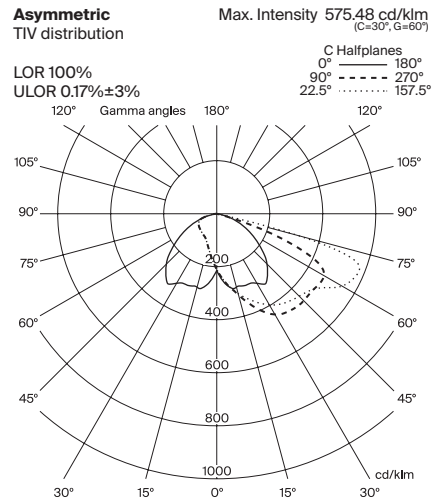
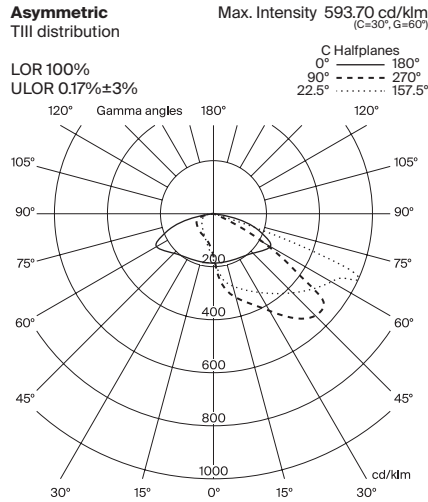
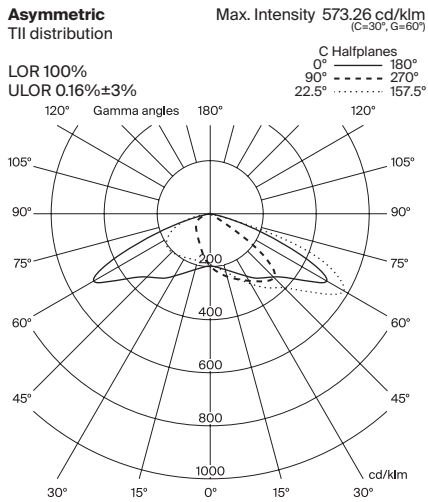
Asymmetric: Type II, Type III or Type IV (according to IESNA classification).

**Upper Light Output Ratio (FHS%):** 0.55-0.59

**Configurations**

Reference	LEDs n°	T°color (K)	Current (mA)	Power lamp (W)	System power (W)	IESNA TII		IESNA TIII		IESNA TIV		Wide Flood		Flood		Medium		Spot		IESNA TII+II	
						Luminous flux (lm)	Efficacy (lm/W)	Luminous flux (lm)	Efficacy (lm/W)	Luminous flux (lm)	Efficacy (lm/W)	Luminous flux (lm)	Efficacy (lm/W)	Luminous flux (lm)	Efficacy (lm/W)	Luminous flux (lm)	Efficacy (lm/W)	Luminous flux (lm)	Efficacy (lm/W)	Luminous flux (lm)	Efficacy (lm/W)
ARP18A1xx	18	3000 IRC min80	350	18	21	2114	96	1991	90	2036	93	2211	100	2385	108	2331	106	2287	104	2114	96
ARP18B1xx			500	26	32	2980	93	2805	88	2869	90	3115	97	3361	105	3284	103	3223	101	2980	93
ARP18C1xx			700	36	42	3858	92	3632	86	3714	88	4033	96	4352	104	4252	101	4174	99	3858	92
ARP18A2xx		4000 IRC tip70	350	18	22	2495	113	2349	107	2402	109	2608	119	2814	128	2750	125	2699	123	2495	113
ARP18B2xx			500	26	32	3516	110	3310	103	3384	106	3675	115	3966	124	3875	121	3803	119	3516	110
ARP18C2xx			700	36	42	4552	108	4286	102	4382	104	4759	113	5135	122	5017	119	4924	117	4552	108
ARP36A1xx	36	3000 IRC min80	350	36	40	4004	100	3770	94	3855	96	4186	105	4517	113	4413	110	4331	108	4004	100
ARP36B1xx			500	51	59	5553	94	5228	89	5346	91	5805	98	6264	106	6120	104	6007	102	5553	94
ARP36C1xx			700	72	85	7190	85	6769	80	6922	81	7517	88	8111	95	7925	93	7778	92	7190	85
ARP36A2xx		4000 IRC tip70	350	36	40	4724	118	4448	111	4548	114	4939	123	5329	133	5207	130	5110	128	4724	118
ARP36B2xx			500	51	59	6552	111	6168	105	6307	107	6849	116	7391	125	7221	122	7087	120	6552	111
ARP36C2xx			700	72	85	8483	100	7987	94	8167	96	8869	104	9570	113	9350	110	9177	108	8483	100

\*Opal option -7.5% luminous flux



\*Recomendations: for calculation in ground type II (according to UNE-40) and wind speed of 29 m/s, with soil formed by loose or wet dirt or sand of medium compactness ( $E_0 = 4800 \text{ KN/m}^2$ ), with HM-20 concrete. Non-binding information. We advise to carry out checks for each situation.