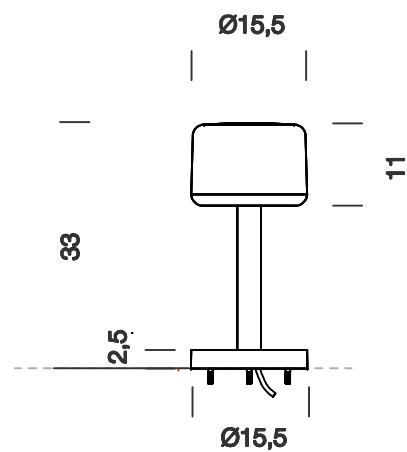


GREEN

AMBER

COLOURS UPPER COVER



□□ 33 fija. Lámpara de pie	cotas cm.
Floor lamp. □□ 33 fixed	sizes in cm.

Tel. +34 938 462 437
Fax +34 938 711 767

e-mail: info@santacole.com

www.santacole.com



SANTA & COLE