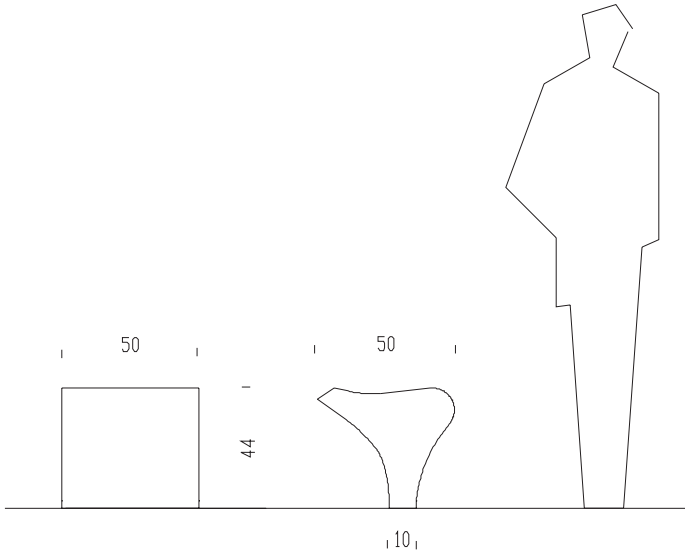
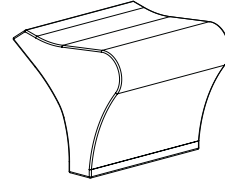


CUERPO / BODY		
Peso / Weight		127 Kg
Material / Material	Medida / Measure	Acabado / Finish
Hormigon armado Armed concrete	44cmx50cmx50cm	Coloreado en masa Mass coloured



SUMINISTRO  
SUPPLY LIST



x1 Banco / Bench



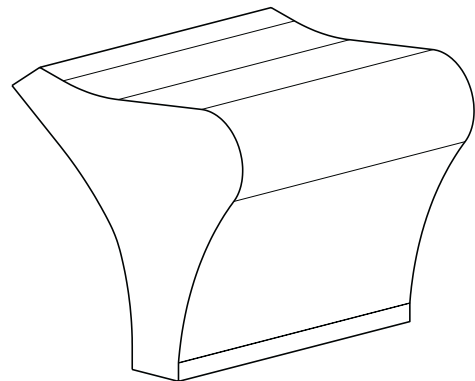
x2 Perno M20x180  
M20x180 Steel bolts



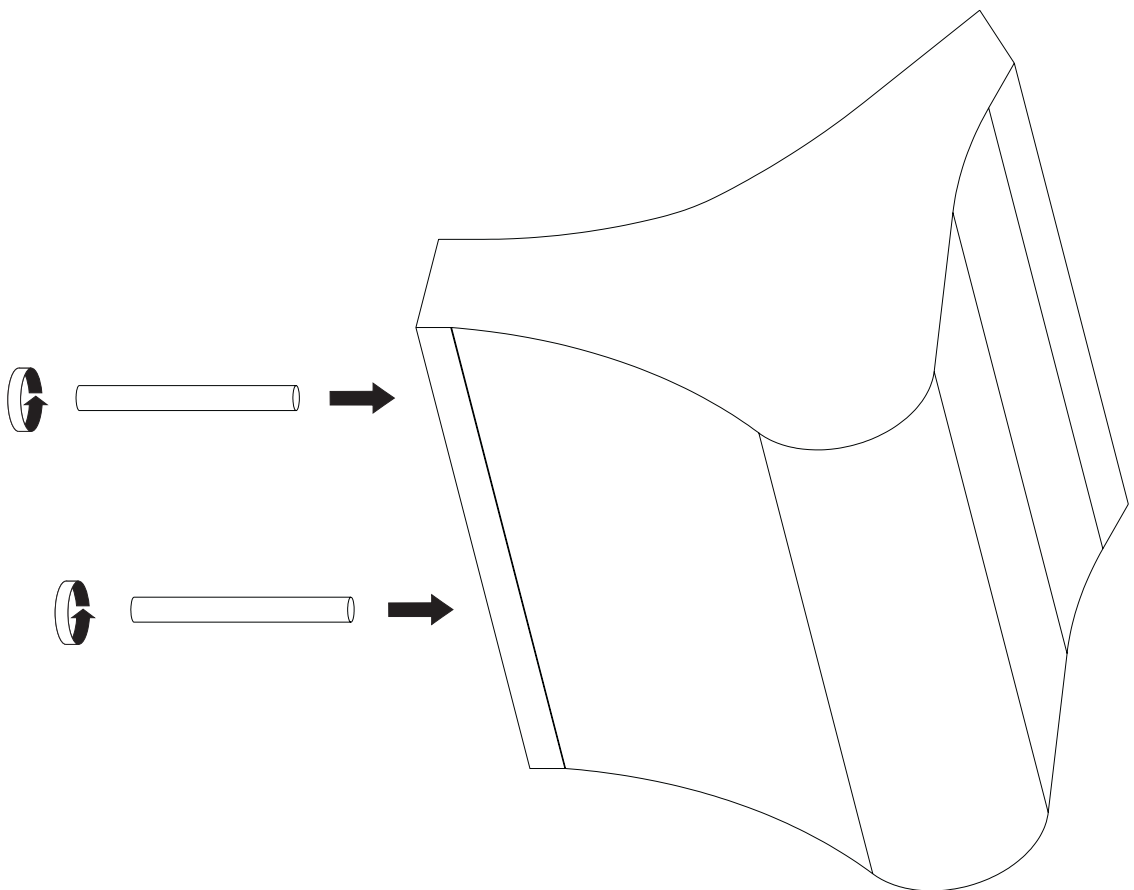
SANTA & COLE

**IOLA**

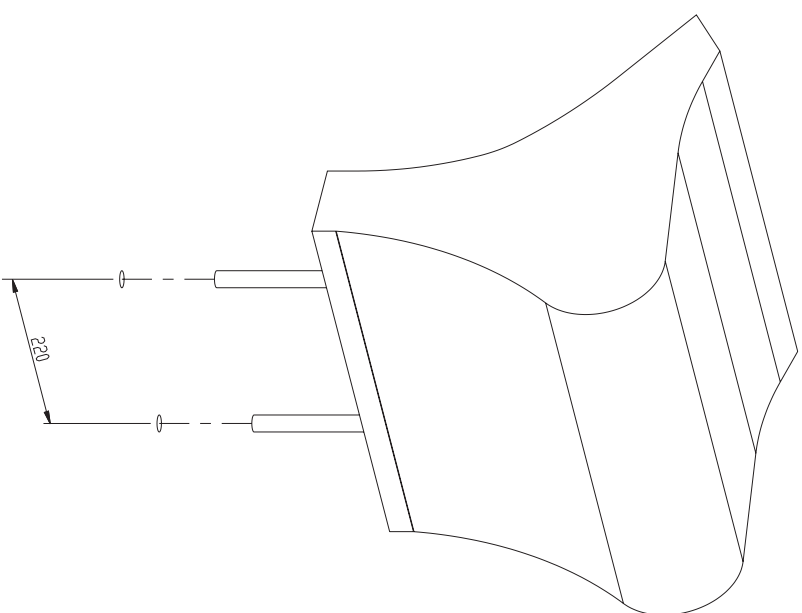
diseño/design by  
RCR Arquitectes  
2004



1



2



Taladros Ø25, rellenas de resina epoxi. Portland rápido o similar.  
Ø25 Drill, filled with epoxy resin, or fast-drying cement or such.

Línea de tierra  
Ground line

