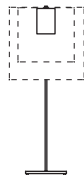


Moaré

Antoni Arola

2003

Floor lamp



The superimposed shades of Moaré cause an optical illusion of asymmetric waters, known as the Moaré effect. Created in 2003, the Moaré series has gradually taken on new formats, supports and colours, currently deploying numerous combinations to satisfy very different needs, from large commercial spaces to private domestic uses.

GENERAL DESCRIPTION

Two superimposed cylindrical polyester lampshades.

With a range of sizes and colours (white, red, grey and black), numerous combinations are possible.

Aluminium structure with graphite black finish and cast aluminium base.

Acrylsatiné methacrylate cylindrical diffuser.

Electric cable length: 2,5 m / 97.5"

FUENTE DE LUZ

Fuentes de luz recomendadas (regulables):

3 x LED bulb: 17 W

3 x Compact fluorescence: 20 W

3 x Incandescent: Max. 150 W

E27 - E26 (Max. hgt. 160 mm / 6.3")

Light source not included.

Dimmer included.

Compatible with bulbs of the Energy efficiency class (E.E.C): A++... E.

Lamp suitable only for indoor use.

Always use the light source recommended or equivalent.

Input voltage: 100 , 120, 230 VAC (50 Hz / 60 Hz) According to destination.

APPROXIMATE WEIGHT (without package)

24,8 Kg / 54.7 lb

REGULATIONS

CE


 IP 20

UNE-EN 60598

UNE-EN 55015

UNE-EN 60529



Non-class 2

Dry location only

MAINTENANCE

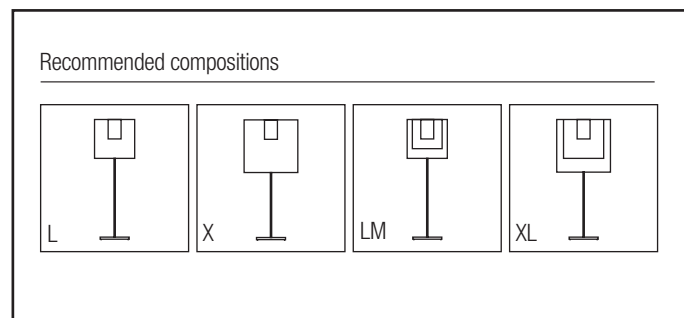
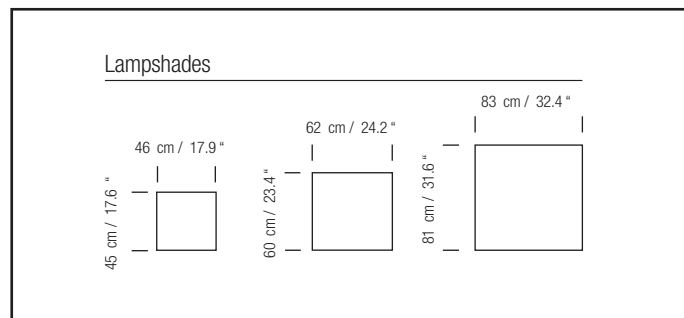
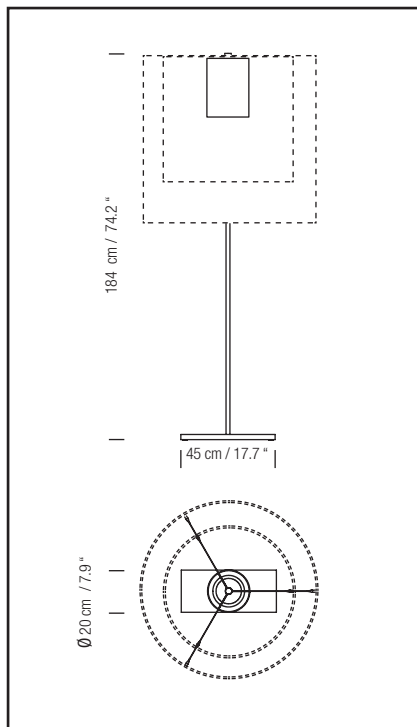
Clean with a smooth cloth. It is advised not to use any ammonia, solvent or abrasive products.

OTHERS

The lamp is delivered in different packages.

The assembly instructions are delivered with the product.

MODEL



Collection

Hanging lamp



Moaré