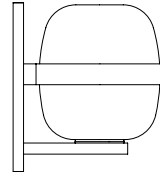


Wally

Miguel Milá, 1962

Wall lamp



Conceived the same year as the lamps in the Cesta collection, what this iconic wall lamp also has in common with the Cesta family is its opal globe shape and its formal grace. Available in matte white or dark bronze, the structure used to grip the element to the wall consists of a metal arm and ring that hold aloft and grip onto the glass shade.

With a notable distinguishing touch, the Wally wall lamp fits in with its setting and offers a gentle, subtle source of light.

GENERAL DESCRIPTION

Metallic structure finished in dark bronze or matte white.
White opal glass lampshade.
Suitable for Outlet Box (UL market).

LIGHT SOURCE

Recommended light sources:
LED bulb: 6 W
Compact fluorescent: 11 W
Incandescent: Max. 40 W
E27 - E26
(Max. hgt. 105 mm / 4.1")

Light source not included.
Compatible with bulbs of the energy efficiency class (E.C.C):
A++... E.
Suitable for indoor and outdoor use.
Always use this light sources or equivalent.

Input voltaje: 100, 120, 230 Vac.
(50 Hz / 60 Hz). According to destination.



SANTA & COLE

APROXIMATE WEIGHT (unpacked)

1,5 Kg / 3.3 lb

REGULATIONS

CE



IP 54

UNE-EN 60598

UNE-EN 55015

UNE-EN 60529



Non-class 2

Dry and damp location

UL-1598

E-353545

MAINTENANCE

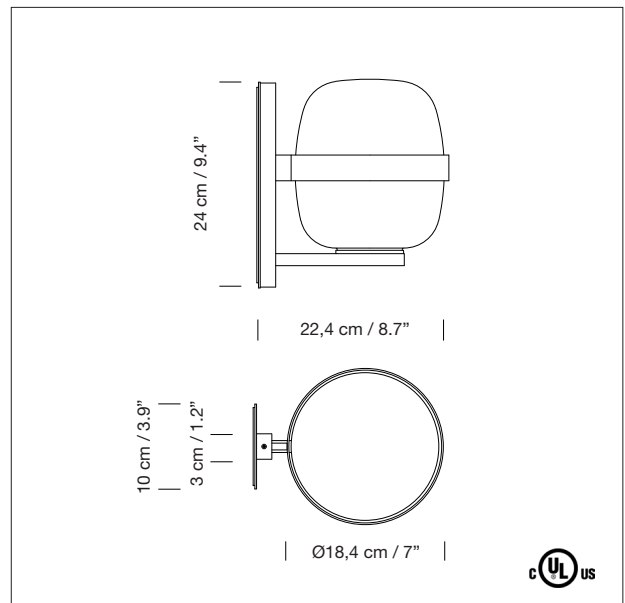
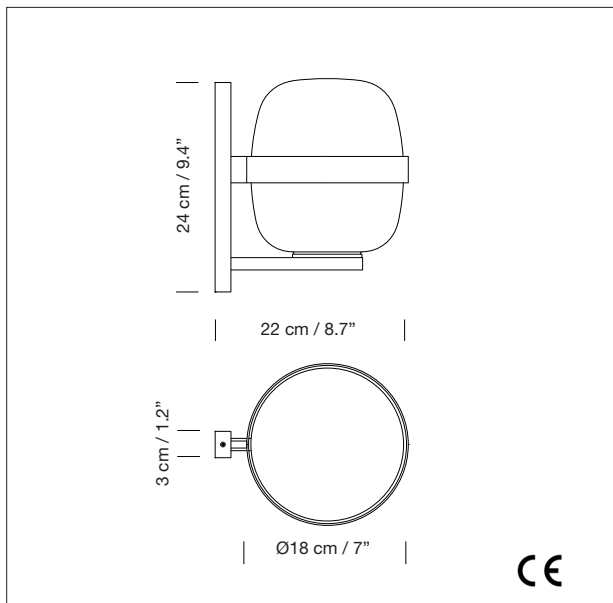
Clean with a smooth cloth. Do not use ammonia, solvent or abrasive cleaning products.

OTHERS

The lamp is delivered in different packages.

The assembly instructions are delivered with the product.

MODELS



COLLECTION

Table lamps



Cesta



Cestita



Cesta Metálica



Cestita Metálica

Wall lamps



Wally