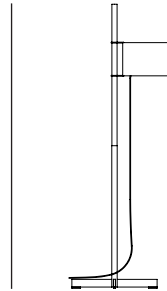


# TMM

Miguel Milá, 1961

Floor lamp

ADI FAD  
Critics Award, 1962



This is perhaps the most highly acclaimed pieces from one of Spain's leading pioneering masters of industrial design. Miguel Milá managed to brilliantly separate the three vital components of any lamp: the structure, the electrical components and the shade, in an exquisite demonstration of earnest serenity and functional efficiency, allowing the user to put them together with tremendous ease and enabling better maintenance throughout its extensive service life. It becomes ever more glorious in time.

A cross-shaped base supports a square wooden shaft that becomes a circle in the middle. The shade can be moved up or down it, held at the required height by a simple rubber ring. A genuine lesson in intelligence and good taste making minimal use of components. This was Miguel Milá's first product that Santa & Cole re-released in 1986, 25 years after it initially saw the light of day. Today it is offered in a range of five different woods for the structure and two colours of shade: white or beige.

## GENERAL DESCRIPTION

Cherry, wenge, beech, walnut or natural oak wood structure.

Height-adjustable lampshade in white (optional upper diffuser in white translucent engineering plastic) or beige parchment.

The lampshade is delivered with cable, bulb socket and fastening system to the structure.

Electric cable length: 4 m / 157.5"

## LIGHT SOURCES

Recommended light sources:

LED bulb: 12 W

Compact fluorescent: 20 W

Incandescent: Max. 100 W

E27 - E26

(Max. hgt. 125 mm / 4.9")

\* UL Market: Max.25 W for white lampshade with upper diffuser.

Light source not included.

The light is switched on/off by pulling lightly on the cable.

Compatible with bulbs of the energy efficiency Class (E.E.C):

A+... E.

Suitable only for indoor use.

Always use the light source recommended or equivalent.

Input voltage: 100, 120, 230 Vac.

(50 Hz / 60 Hz) According to destination.



---

**APPROXIMATE WEIGHT** (unpacked)

4 kg / 8.8 lb

---

**REGULATIONS**

CE



IP 20

UNE-EN 60598

UNE-EN 55015

UNE-EN 60529



Non-class 2

Dry location only

UL-153

E-352592

---

**MAINTENANCE**

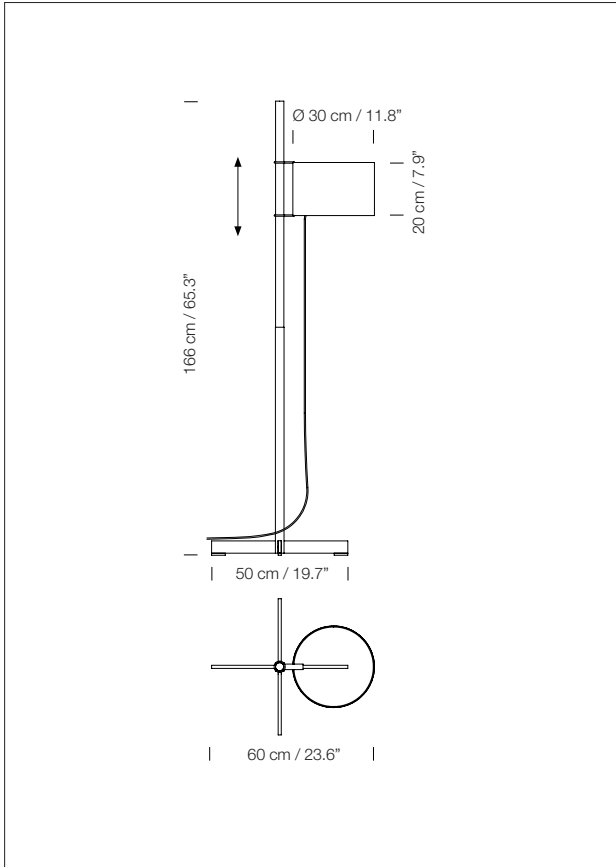
Clean with a smooth cloth. Do not use ammonia, solvents or abrasive cleaning products.

---

**OTHERS**

The lamp is delivered in different packages.  
The assembly instructions are delivered with the product.

MODEL



COLECCION

Wall lamps



TMM corto



TMM largo



TMM Metálico