

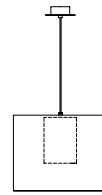
# Moaré Liviana

Antoni Arola, 2017

Pendant lamp

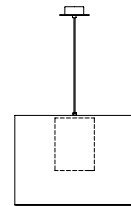


Moaré Liviana S



A

Moaré Liviana M



B

Created with the aspiration of becoming a new basic in the Santa & Cole collection, this lightweight version of the renowned Moaré family consists of a single white shade and a diffuser; hence the name Liviana (weightless in Spanish).

An elegant fusion that gives rise to a lamp conceived to light up any spot, whether at home, in a hotel, at the office or in a restaurant. Whether in a single unit or several in sequence, Moaré Liviana is a pendant lamp that irradiates harmonious light and maintains an agreeable ambience.

## GENERAL DESCRIPTION

White polyester lampshade with cardboard cylindrical diffuser.

Circular metallic rosette satin nickel or textured white, black finished.

Suitable for Junction Box (UL market).

Electric cable length: 3 m / 118.1"

## LIGHT SOURCE

Recommended light sources:

LED bulb: 10 W

Compact fluorescent: 20 W

Incandescent: Max. 60 W

E27 - E26

(Max. hgt. 155 mm / 6.1")

Light source not included.

Compatible with bulbs of the

Energy efficiency class (E.E.C):

A++ ... E.

Suitable only for indoor use.

Always use the light source recommended or equivalent.

Input voltage : 100, 120, 230 Vac.

(50 Hz / 60 Hz). According to destination.

## APPROXIMATE WEIGHT (unpacked)

(A) Moaré Liviana S: 0,9 Kg / 1.9 lb

(B) Moaré Liviana M: 1,2 Kg / 2.6 lb



SANTA & COLE

## REGULATIONS

CE



IP 20

UNE-EN 60598

UNE-EN 55015

UNE-EN 60529



Non-class 2

Dry location only

UL-1598

E-353545

## MAINTENANCE

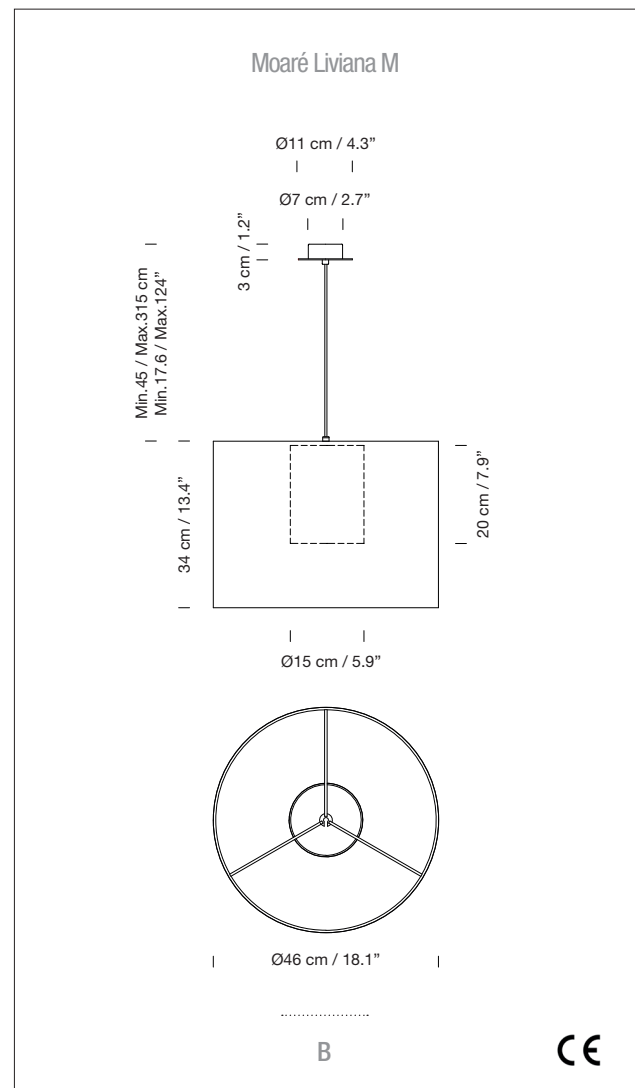
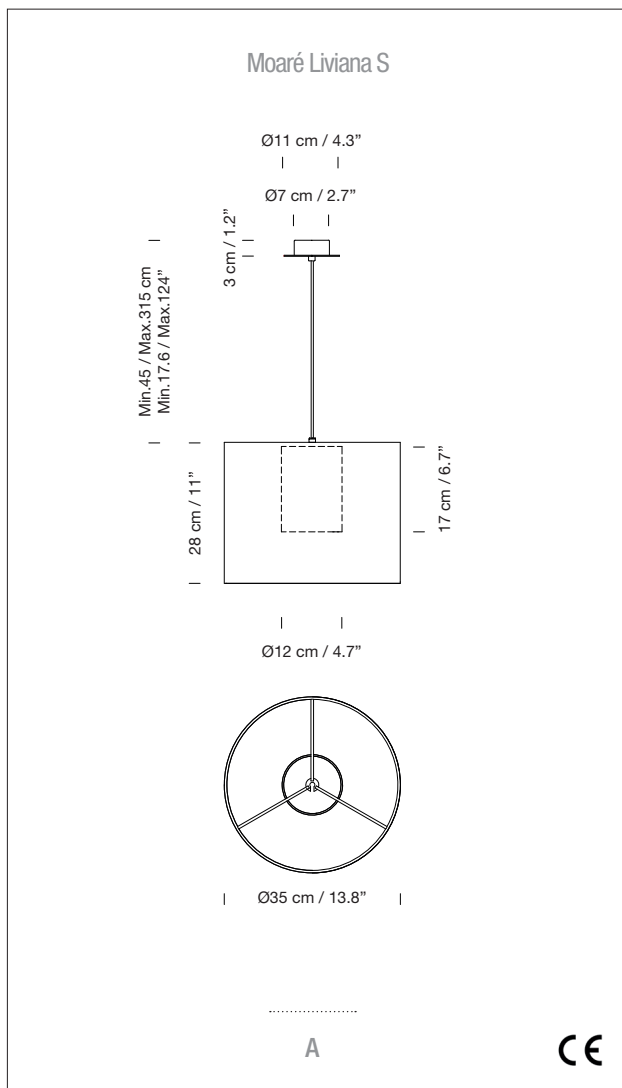
Clean with a smooth cloth. Do not use ammonia, solvents or abrasive cleaning products.

## OTHERS

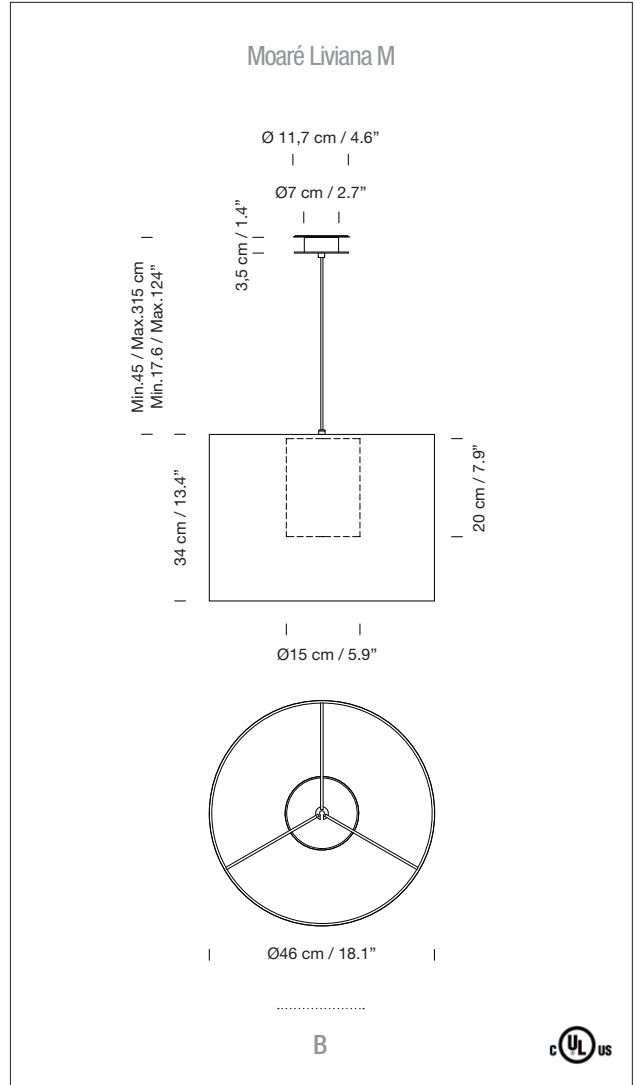
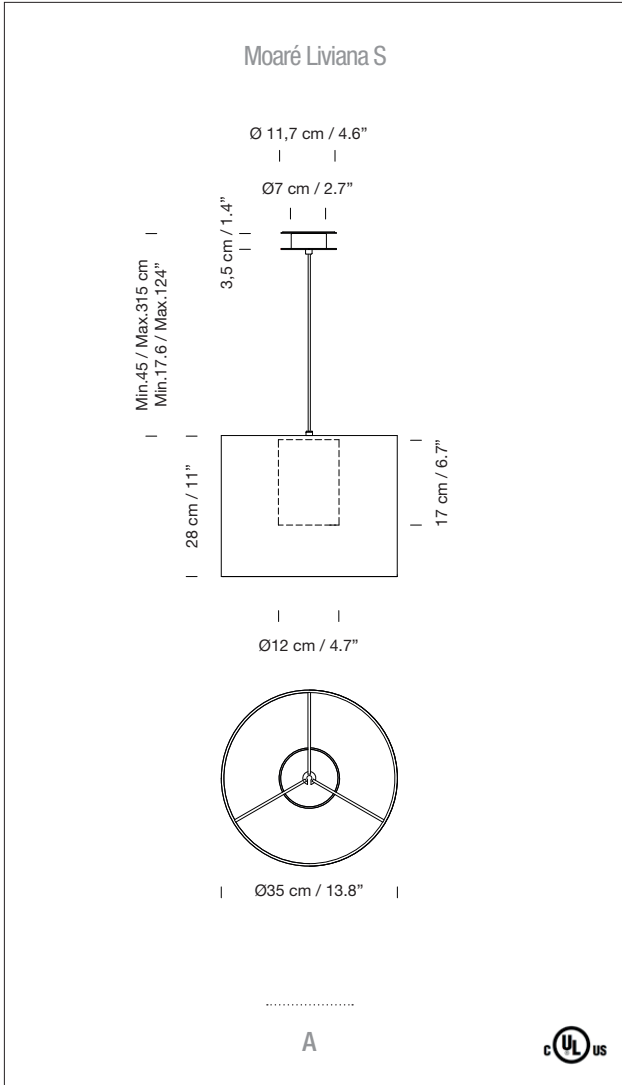
The lamp is delivered in different packages.

The assembly instructions are delivered with the product.

## MODELS



MODELS



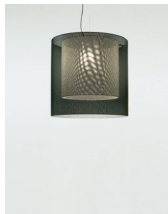
COLLECTION

Floor lamp



Moaré

Pendant lamp



Moaré