



SANTA & COLE

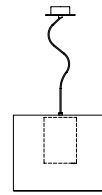
Moaré Liviana

Antoni Arola, 2017

Pendant lamp

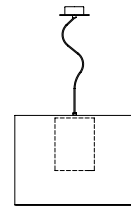


Moaré Liviana S



A

Moaré Liviana M



B

Created with the aspiration of becoming a new basic in the Santa & Cole collection, this lightweight version of the renowned Moaré family consists of a single white shade and a diffuser; hence the name Liviana (weightless in Spanish).

An elegant fusion that gives rise to a lamp conceived to light up any spot, whether at home, in a hotel, at the office or in a restaurant. Whether in a single unit or several in sequence, Moaré Liviana is a pendant lamp that irradiates harmonious light and maintains an agreeable ambience.

GENERAL DESCRIPTION

White polyester lampshade with cardboard cylindrical diffuser.

Circular metallic rosette satin nickel or textured white, black finished.

Suitable for Junction Box (UL market).

Electric cable length: 3 m / 118.1"

LIGHT SOURCE

Recommended light sources:

LED bulb: 10 W

Compact fluorescent: 20 W

Incandescent: Max. 60 W

E27 - E26

(Max. hgt. 155 mm / 6.1")

Light source not included.

Compatible with bulbs of the

Energy efficiency class (E.E.C):

A++ ... E.

Suitable only for indoor use.

Always use the light source recommended or equivalent.

Input voltage : 100, 120, 230 Vac.

(50 Hz / 60 Hz). According to destination.

APPROXIMATE WEIGHT (unpacked)

(A) Moaré Liviana S: 0,9 Kg / 1.9 lb

(B) Moaré Liviana M: 1,2 Kg / 2.6 lb



SANTA & COLE

REGULATIONS

CE



IP 20

UNE-EN 60598

UNE-EN 55015

UNE-EN 60529



Non-class 2

Dry location only

UL-1598

E-353545

MAINTENANCE

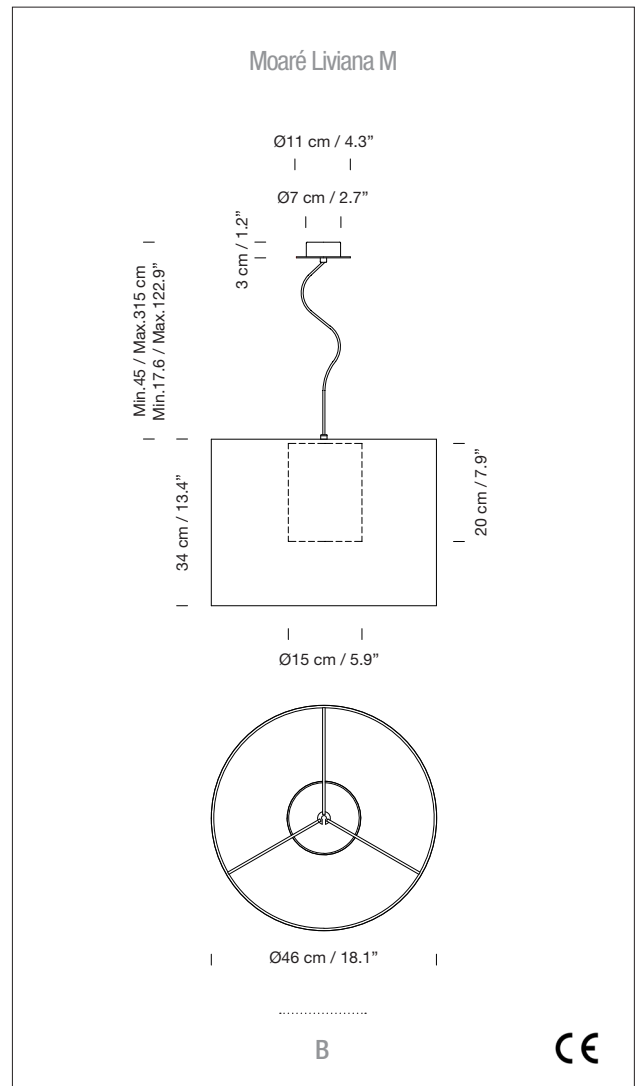
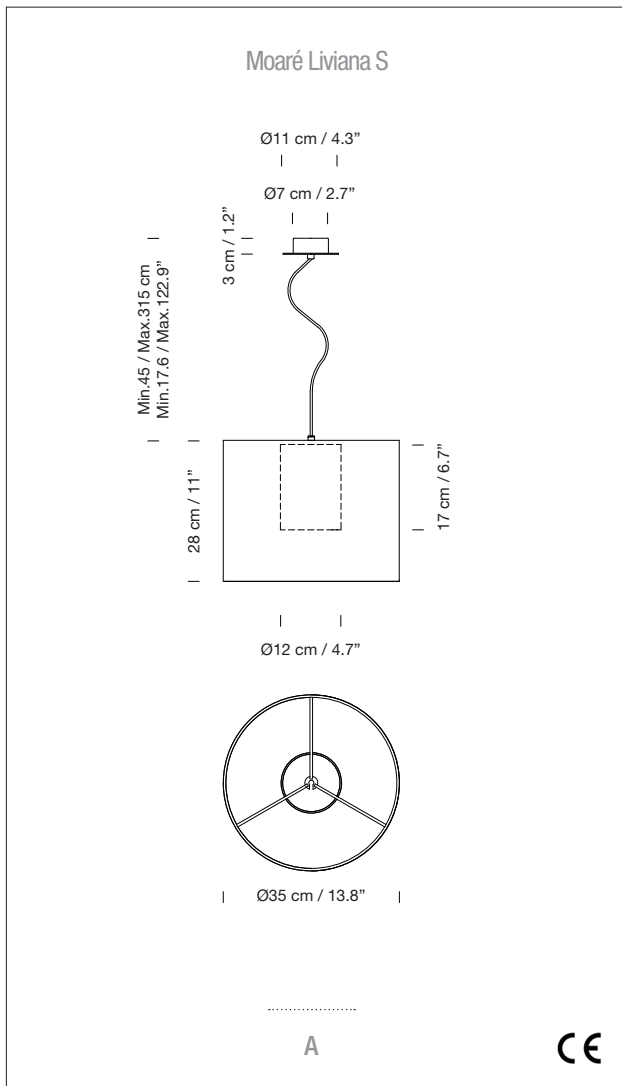
Clean with a smooth cloth. Do not use ammonia, solvents or abrasive cleaning products.

OTHERS

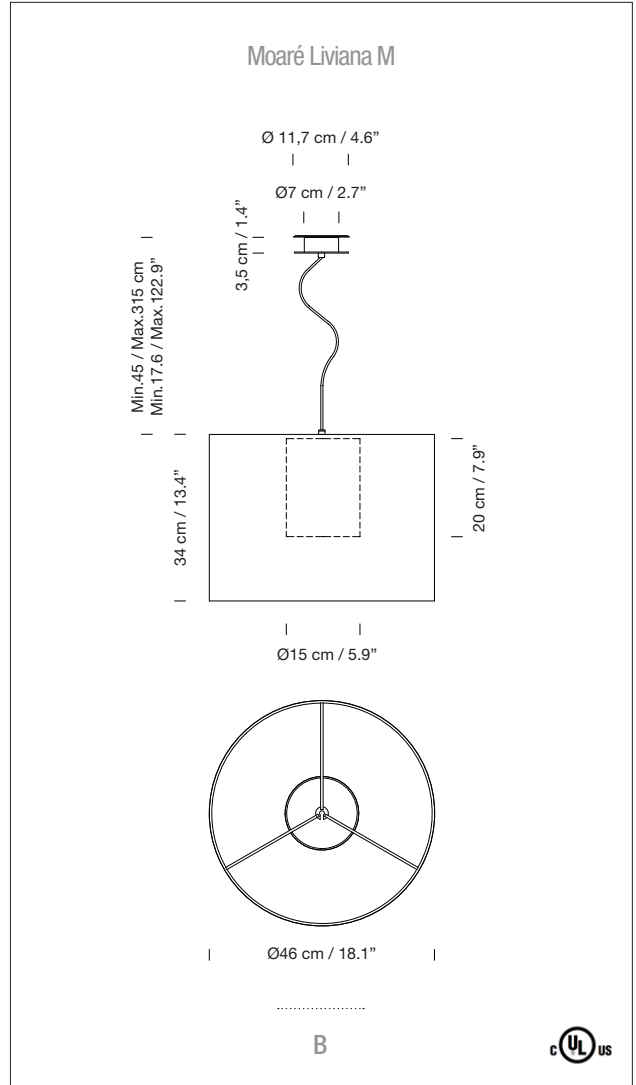
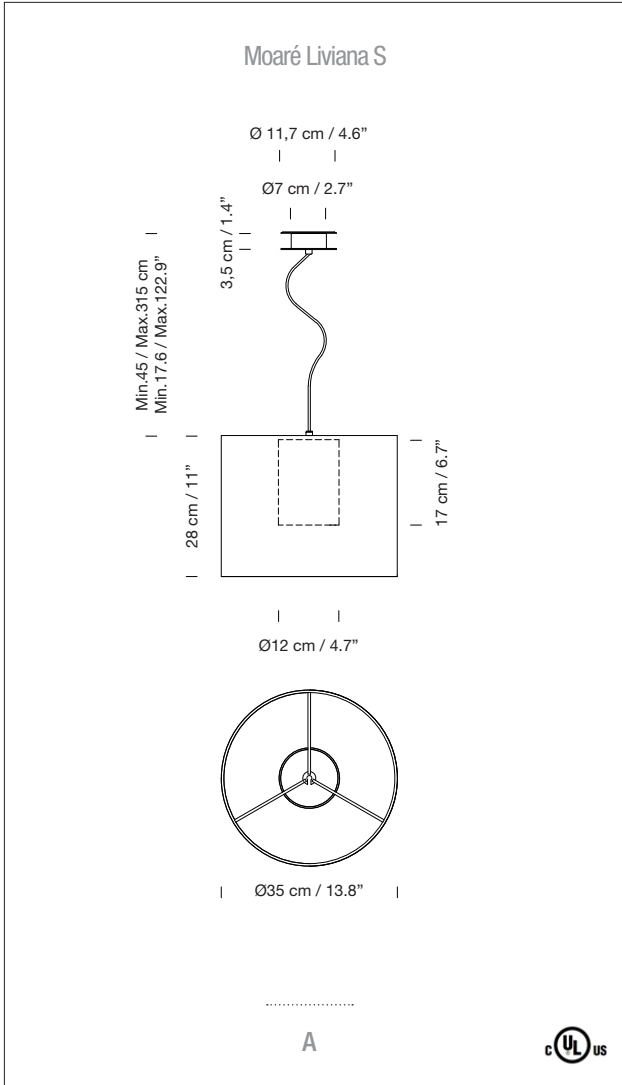
The lamp is delivered in different packages.

The assembly instructions are delivered with the product.

MODELS



MODELS



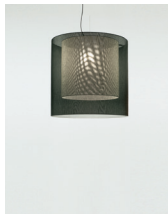
COLLECTION

Floor lamp



Moaré

Pendant lamp



Moaré