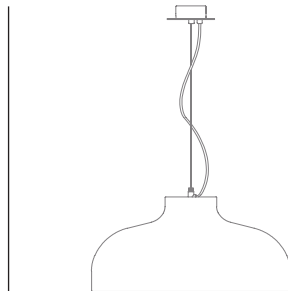


M68

Miguel Milá, 1962

Pendant Lamps



The hugely evocative shade on the M68 lamp immortalises the silhouette of a woman's shoulders. It is an aluminium re-edition of the famous methacrylate pop lamp from the 1960s – also by Miguel Milá – and it is now available in lively red or matte white, as well as in polished aluminium.

Since the shade is opaque, its bell-shape cross section gives it a large inside surface to diffuse the light. The electrical cable runs from the top middle area of the shade along with a tiny metal cylinder that links the shade and the steel wire that holds it aloft. In short, M68 is the friendliest way of lighting a large table.

GENERAL DESCRIPTION

3 versions available:

Polished aluminium lampshade and circular chrome-plated ceiling plate.

Brilliant red or matte white aluminium lampshade and circular ceiling plate.

Ceiling rosette suitable for side entry adaptor.

Junction Box adaptor included Ø 11,7 cm / 4.6" (UL market).

Electric cable length: 3 m / 118.1"

FUENTE DE LUZ

Recommended light sources:

LED bulb: 10 W

Compact fluorescent: 20 W

Incandescent: Max. 100 W

E27 - E26

(Max. hgt. 130 mm / 5.1")

Light source not included.

Compatible with bulbs of the

Energy efficiency class (E.E.C):

A++... E.

Suitable only for indoor use.

Always use the light source recommended or equivalent.

Input voltaje : 100, 120, 230 Vac.

(50 Hz / 60 Hz). According to destination.

APROXIMATE WEIGHT (unpacked)

1,6 kg / 3.5 lb



SANTA & COLE

REGULATIONS

CE



IP 20

UNE-EN 60598

UNE-EN 55015

UNE-EN 60529



Non-class 2

Dry location only

UL-1598

E-353545

MAINTENANCE

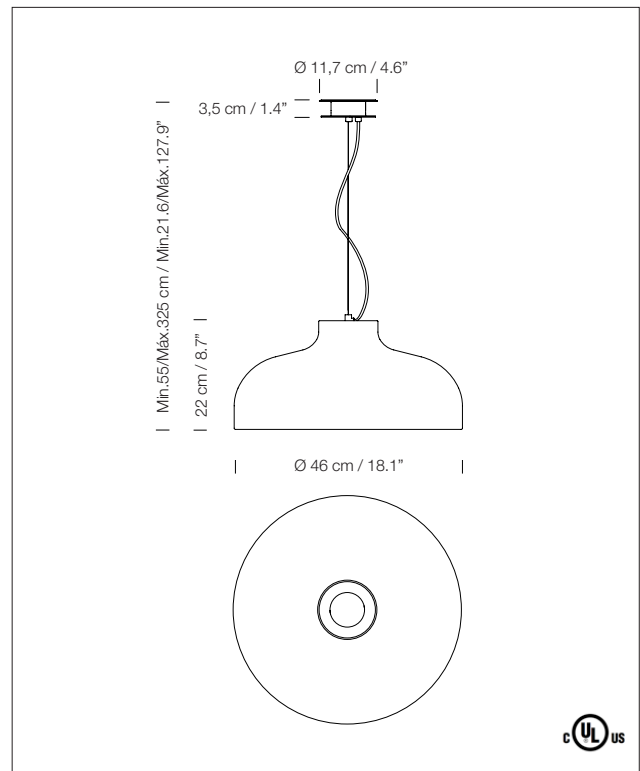
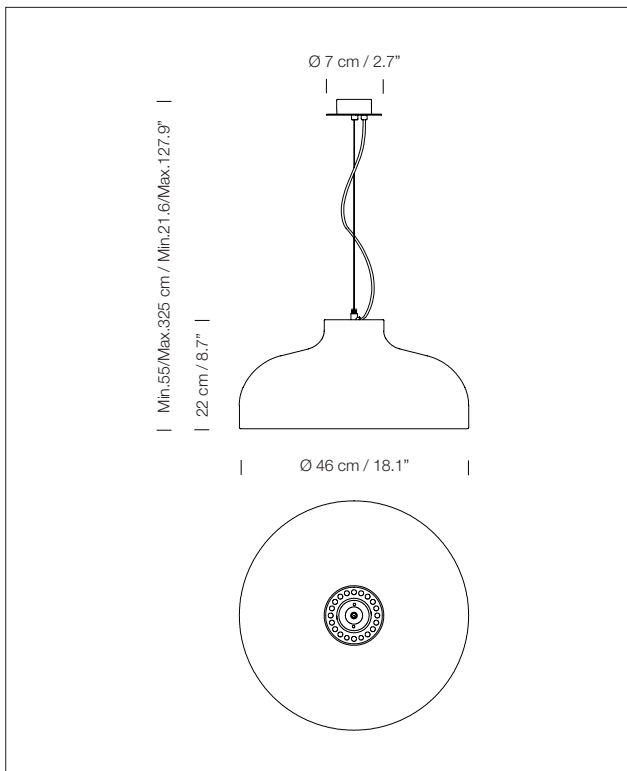
Clean with a smooth cloth. Do not use ammonia, solvents or abrasive cleaning products.

OTHERS

The lamp are delivered in one package.

The assembly instructions are delivered with the product.

MODEL



COLECCION

Pendant Lamps



M64