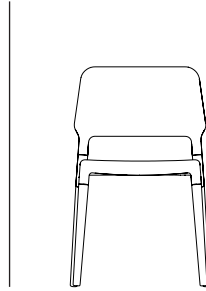


# Belloch

Lagranja Design, 2009

Chairs, armchairs, sofas and ottomans

IIDA Award of Excellence 2009



Stemming from Santa & Cole's commissioning of a multipurpose chair for our offices in Belloch (Barcelona) – to be used indoors and outdoors – the Belloch chair was the first to come up with the idea of combining plastic materials for the backrest and seat (with a drainage point) with gracious legs made from wood or aluminium. The result is stylistically reminiscent of the taste of Charles and Ray Eames, though it is wholly contemporary in recyclability and use.

The pleasant clarity of its light, stackable design, the fusion of colours and legs, its affordable cost and its remarkable comfort are the reasons why the Belloch chair invites people to use it for hours on end in all kinds of public or private settings all over the world, and at our own headquarters as well, of course.

## GENERAL DESCRIPTION

Engineering plastic seat and back.

For indoor: 6 different finishes: white, grey, black, brown, green or red. Natural beech wood legs.

For outdoor: 2 different finishes: white or grey. Matte anodized aluminium legs. Stackable.

## APROXIMATE WEIGHT (unpacked)

4 kg / 8.8 lb

## REGULATIONS

### CE

UNE-EN 581-1  
UNE-EN 581-2  
UNE-EN 1728  
UNE-EN 1022

### Internacional Regulations

ANSI-BIFMA x 5.1 for chairs type III

## MAINTENANCE

For proper care of the chair simply wipe it with a damp, soapy cloth. It is advised not to use any ammonia, solvent or abrasive products.

## OTHERS

Suitable for indoor use (wooden legs) and outdoor use (aluminium legs).

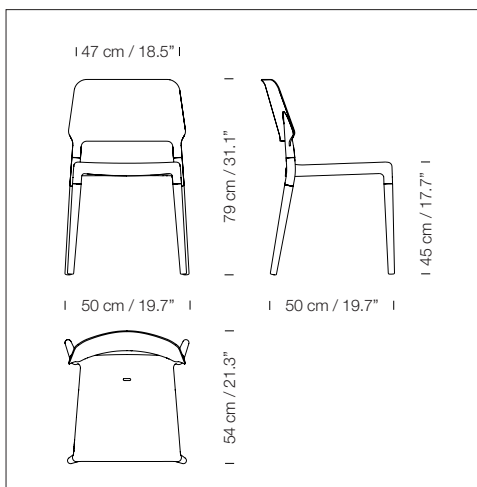
Stackable, recommended up to four chairs.

Chairs are delivered by unit or by groupage.

The assembly instructions are delivered with the product.



MODEL



COLLECTION

Table



Belloch