

NIMBA 90/ 120

Hanging lamp

1997 (Xenon)

2011 (LED)

GENERAL DESCRIPTION

ADI-FAD. Selection 1997. The Nimba is a delicate circle of light which floats like a halo, made up of a suspended metal circle with a white inner shade, which manages to combine simplicity, high technology and efficiency thanks to the latest incorporation of LEDs as the light source. "Like the nimbus or aureole of holy images, it can be seen, but it is not there".

APPROXIMATE WEIGHT (without packing)

(1) Nimba 90	14 Kg
(2) Nimba 90 LED	10 Kg
(3) Nimba 120	26 Kg
(4) Nimba 120 LED	14 Kg

LIGHT SOURCE

(1)
XENON 408W (48x8.5W)
Colour temperature 2500-2700 K
Light source luminous flux 4560 lm
Luminarie Luminous flux 2197 lm
Working life >20,000 hours

(2)
LED 110W 350 mA. EEC: A
Colour temperature 2900-3100 K
Light source luminous flux 5376 lm
Luminarie luminous flux 2898 lm
Working life >40,000 hours

(3)
XENON 578W (68x8.5W)
Colour temperature 2500-2700 K
Light Source luminous flux 6431 lm
Luminarie luminous flux 3098 lm
Working life >20,000 hours

(4)
LED 145W 350mA EEC: A
Colour temperature 2900-3100 K Light source
Light source luminous flux 7238 lm
Luminarie luminous flux 3908 lm
Working life >40,000 hours

Power supply
EUROPE AC 230V 50Hz

Light sources included.
Luminaires only suitable for indoor use.

STANDARDS

The luminaires comply with the following standards:
UNE-EN 60598
UNE-EN 55015
UNE-EN 62031 (2,4)

STRUCTURE AND ROSETTE

Stainless steel structure.
Circular metal rosette incorporating power supply,
finish in satin nickel (1,2,3 and 4) or white (1 and 3).

SHADE

White plastic shade.
Film of extruded rigid plastic: the thicknesses are between 80 and 500 micra. The impact resistance of this material is 450KJ/m².
Presents cold crack at -15 °C.

MAINTENANCE

Clean with a smooth cloth. Do not use ammonia products, solvents, abrasives, etc.

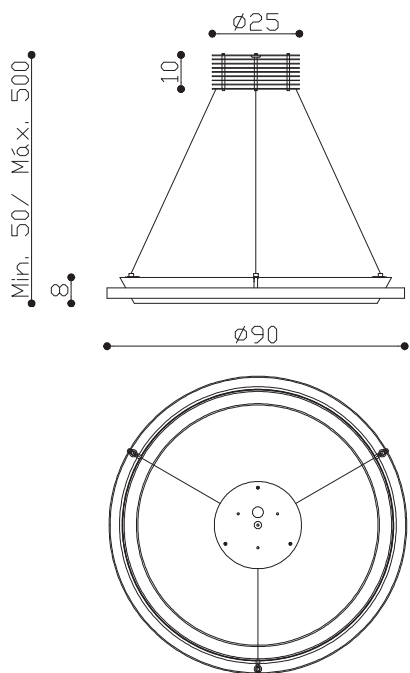
OTHERS:

The luminaire is delivered dismantled in different packages.
The assembly instructions are enclosed with the luminaire.

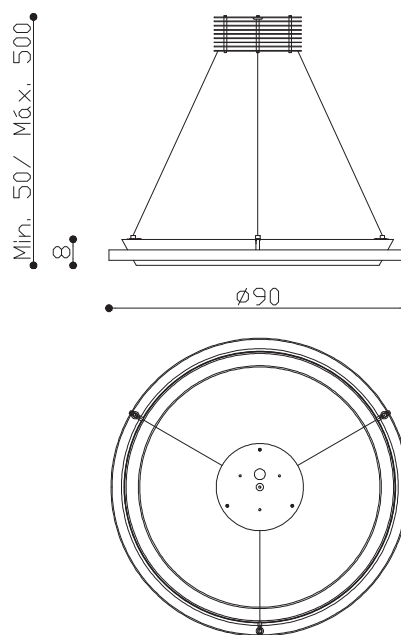


(1 y 3)				
(2 y 4)		Clase I		

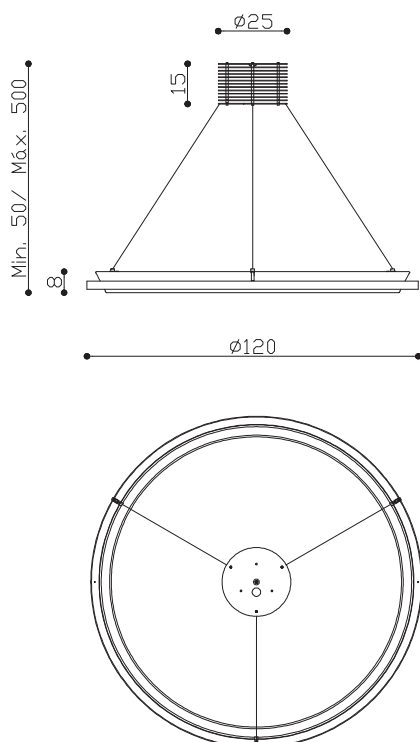
1. NIMBA 90



2. NIMBA 90 LED



3. NIMBA 120



4. NIMBA 120 LED

