

AMERICANA

Wall, table and floor lamps

1963, 1964, 2000

GENERAL DESCRIPTION

The Americana is one of the many legendary series of lamps by this prominent Spanish designer. The articulated right angle defines the essential geometry of this series, which includes a table lamp, a floor lamp and a wall lamp.

APROXIMATE WEIGHT (unpacked)

| | |
|---------------------------|-------|
| (1.) AMERICANA wall lamp | 0,5kg |
| (2.) AMERICANA table lamp | 1,9kg |
| (3.) AMERICANA floor lamp | 7,2kg |

TECHNICAL CHARACTERISTICS

(1.,2.,3.)

Bulbholder: E26/E27

Light source:

Self-ballasted micro globe compact fluorescent
TCG-SE.7-11W/825 CEE: A. Alt. Máx. 85mm

| | | | |
|-----------|----|----------|-------|
| EUROPE | AC | 230V | 50 Hz |
| USA/JAPAN | AC | 110/128V | 60 Hz |

Light source not included.

Luminaries only suitable for indoor use.

Always use the light source recommended or equivalent.

The luminaries comply with the following regulations:

UNE-EN 60598
UNE-EN 55015

STRUCTURE

Satin nickel structure.

Moveable arm.

LAMPSHADES

White linen lampshade.

MAINTENANCE

Clean with a smooth cloth. Do not to use ammonia products, solvents, abrasives, etc.

OTHERS

The luminaries are delivered in different packets.

The assembly instructions are delivered with the product.



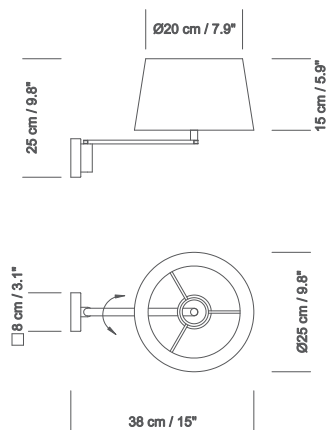
AMERICANA wall, table and floor lamps



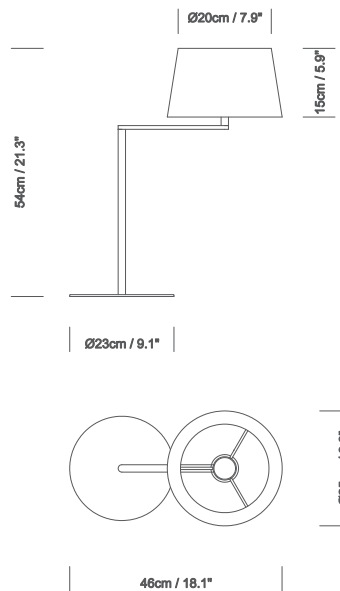


AMERICANA

1. AMERICANA wall lamp



2. AMERICANA table lamp



3. AMERICANA floor lamp

